

SUPPLEMENT
TO THE
NEW ZEALAND GAZETTE

OF
THURSDAY, APRIL 18, 1907.

Published by Authority.

WELLINGTON, THURSDAY, APRIL 18, 1907.

CONTENTS.

	Page
Holiday	1263
Registrar of Patents, Designs, and Trade Marks appointed	1263
International and Intercolonial Arrangements for the Mutual Protection of Inventions	1263
Notice <i>re</i> Patents Supplement	1264
Patent Publications in New Zealand	1264
Books and Documents open to Inspection at Patent Office, Wellington	1264
Official Publications	1265
Local Patent Offices	1265
Applications for Letters Patent filed	1265
Complete Specifications filed after Provisionals	1266
Complete Specifications accepted	1266
Provisional Specifications accepted	1271
Letters Patent sealed	1271
Letters Patent on which Fees have been paid	1271
Subsequent Proprietors of Letters Patent registered	1272
Applications for Letters Patent abandoned	1272
Applications for Letters Patent void	1272
Applications for Letters Patent lapsed	1272
Letters Patent void	1272
Designs registered	1272
Applications for Registration of Trade Marks	1273
Trade Marks registered	1276
Trade Mark Renewal Fees paid	1276
Trade Marks removed from the Register	1276
Subsequent Proprietors of Trade Marks registered	1276
Quarterly List of Inventors	1277
Quarterly List of Inventions	1288
Quarterly List of Trade Marks Applicants	1301
Quarterly List of Designs Applicants	1304

Notice.—Holiday.

THE office will be closed on Tuesday, the 23rd instant.

A

Registrar of Patents, Designs, and Trade Marks appointed.

Department of Justice,
Wellington, 4th April, 1907.

HIS Excellency the Governor has been pleased to appoint

JAMES CLARK LEWIS, Esq.,

to be Registrar of Patents, Designs, and Trade Marks. as and from the 1st day of April instant, *vice* F. G. B. Waldegrave, Esq., resigned.

JAMES MCGOWAN

International and Intercolonial Arrangements for the Mutual Protection of Inventions.

INTERNATIONAL CONVENTION.

THE following countries now belong to the Convention :—

Belgium.	Mexico.
Brazil.	New Zealand.
Ceylon.	Norway.
Cuba.	Portugal, with the Azores and Madeira.
Denmark.	Servia.
Dominican Republic.	Spain.
France, with Algeria and Colonies.	Sweden.
Germany.	Switzerland.
Great Britain.	Tunis.
Italy.	United States of America.
Japan.	

Separate arrangements have been made between Australia and New Zealand.

Particulars of the Convention and of such arrangements may be seen in the following *Gazettes* :—

Notification of adhesion of New Zealand to the Convention, with text thereof (in English), in the *Gazette* of 26th November, 1891; notification of adherence of New Zealand to the Additional Act of the Convention, with text (in English), of such Additional Act, in Patents Supplement to *Gazette* No. 101, of the 16th November, 1905; Order in Council applying section 103 of the Imperial Act to New Zealand, in *Gazette* No. 27, of the 15th May, 1890; Orders in Council containing arrangements between Australia and New Zealand, in Patent Supplements to the *Gazette* Nos. 22 of the 9th March, 1905, and 38 of the 20th April, 1905.

Patents Supplement to Gazette.

PERSONS interested in Patents, Designs, and Trade Marks will find valuable information about such matters in the Patents Supplement to the *Gazette*, issued fortnightly. Each number contains a list of applications for patents during the current fortnight, claims and drawings of complete specifications that have been accepted, lists of trade marks and designs registered, latest official information, &c.

Single copy: Price, 6d. } Postage included.
Annual subscription: 10s. }

Obtainable from the Government Printer, Wellington.

Patent Publications in New Zealand.

THE following publications relating to Patents for inventions, &c., are open to inspection in the colony :—

WELLINGTON.—PATENT OFFICE LIBRARY.

United Kingdom.

The full text of the specifications and complete drawings of inventions patented from the year 1617 up to the 22nd November, 1906.

Classified illustrated abridgments of inventions from 1855 to 1904.

Illustrated Official Journal, containing lists of recent applications, abridgments of inventions for which patents have been lately granted, patents void, &c., to February, 1907.

Index of Applicants.

Subject-matter Index.

Commissioner of Patents Journal, &c. (*).

Trade Marks Journal to December, 1906.

Canada.

Patent Office Record (containing illustrated abridgments of inventions, &c.) to September, 1906.

Australia.

The full text of the specifications and complete drawings in respect of applications accepted from the 11th January to the 10th April, 1906, inclusive.

The Official Journal of Patents of the Australian Commonwealth (containing lists of applications for letters patent, abridgments of complete specifications accepted, &c.).

The Australian Official Journal of Trade Marks (containing lists of applications for registration of trade marks, &c.).

Specifications, drawings, abridgments, and indexes of Victoria, New South Wales, Queensland, and South Australia^(b).

United States.

The full text of the specifications and drawings for the first half of the year 1905.

The Official Gazette of the United States Patent Office (containing illustrated abridgments of specifications, &c.) to the 6th November, 1906.

Mexico.

The Official Gazette of the Patent and Trade Mark Office.

General.

La Propriété Industrielle (the official organ of the International Bureau of the Union for the Protection of Industrial Property).

Patent laws of the world.

Patent and Trade Mark Review.

Text-books and handbooks on patents and trade marks.

(*) Discontinued.

(b) In arrear. Not now being printed

AUCKLAND.—PUBLIC LIBRARY.

United Kingdom.

Classified abridgments of inventions from 1855 to 1904.
Illustrated Official Journal from 1897 to date.

Canada.

Patent Office Record (containing illustrated abridgments of inventions, &c.) from 1897 to date.

Australia.

The Official Journal of Patents from 1905 to date.

United States.

The Official Gazette of the United States Patent Office (containing illustrated abridgments of specifications, &c.) from 1885 to 1887 and 1890 to 1895.

CHRISTCHURCH.—PUBLIC LIBRARY.

United Kingdom.

Classified abridgments of inventions from 1855 to 1904.
Illustrated Official Journal from October, 1905, to date.

Canada.

Patent Office Record (containing illustrated abridgments of inventions, &c.) from 1897 to date.

Australia.

The Official Journal of Patents from 1905 to date.

DUNEDIN.—TOWN HALL.

United Kingdom.

Classified abridgments of inventions from 1855 to 1904.
Illustrated Official Journal from October, 1905, to date.

Australia.

The Official Journal of Patents from 1905 to date.

Books and Documents open to Inspection at Patent Office, Wellington.

THE following documents and books are open to public inspection at the Patent Office :—

PATENTS.

(Fee for each search or inspection, not exceeding one hour, 1s.)

1. The files relating to all applications for letters patent in respect of which complete specifications have been accepted.

2. Classified copies of specifications and drawings, with index and key^(a).

3. Register of Applications for Letters Patent.

4. Register of Patents.

5. Register of Subsequent Proprietors of Letters Patent^(b).

6. Index of Patentees^(c).

7. Index of Proprietors of Letters Patent granted prior to 1890^(d).

8. Index of Specifications^(e).

DESIGNS.

(Search fee, 1s. each quarter of an hour.)

1. Register of Designs, with Index of Names of Proprietors.

2. Classified Representations of Designs in respect of which Copyright has expired.

3. Index of Designs.

TRADE MARKS.

(Search fee, 1s. each quarter of an hour.)

1. The files relating to all applications for registration of trade marks.

2. Register of Applications for Registration of Trade Marks.

3. Register of Trade Marks.

4. Index of Applicants for Registration of Trade Marks^(f).

5. Index of Trade Marks.

6. Classified Representations of Trade Marks, with indexes.

MISCELLANEOUS.

Register of Patent Agents.

FORMS AND PUBLICATIONS.

The following forms, &c., may be had on application at the Patent Office, Wellington, or at any of the local Patent Offices named below :—

Application for letters patent.

Provisional specification.

Complete specification and copy thereof.

Application for registration of design.

Application for registration of trade mark.

Applications for extension of time.

Requests by subsequent proprietor to enter name on Register of Patents and Trade Marks.

Printed sheets of information as to fees and procedure to obtain letters patent and to register a trade mark (*). Pamphlet containing Act and Regulations (price 1s.).

- (a) Key is in card index.
- (b) This Register contains only names of subsequent proprietors of letters patent granted prior to 1st January, 1890; since that date they appear in Register of Patents.
- (c) Includes all names of applicants, &c., and consists of four volumes to 4th November, 1903, and card index since that date. A separate card index is kept for current quarter.
- (d) The names of proprietors of subsequent letters patent appear in the Index of Patentees.
- (e) Contains classified abridgments of specifications from 1861, with extracts from drawings from July, 1904.
- (f) Names of applicants for registration and proprietors of trade marks are indexed at the beginning of the Registers up to 31st December, 1889; in separate volume up to 5th September, 1904; and since the latter date in card index.
- (g) May also be obtained at any local Patent Office or money-order office.

Official Publications.

THE following publications may be obtained from the Government Printer, Wellington:—
 Printed specifications to the end of the year 1879.
 Annual lists of letters patent and letters of registration applied for, and particulars of applications lapsed, and patents lapsed, from 1880 to 1888 inclusive.
 Annual reports of the Registrar, containing alphabetical lists of applicants for letters patent and of inventions patented from 1889 to 1905 inclusive.
 The Patents Supplement to *Gazette* (containing notifications, applications for letters patent, abridged descriptions and drawings of inventions, &c.), published fortnightly.

Local Patent Offices.

LOCAL Patent Offices for supplying forms and for receiving applications for transmission to the Patent Office without extra charge have been established at the following places:—

- | | | |
|--|---|-------------------------|
| Auckland
Gisborne
Napier
Nelson
Blenheim
Christchurch
Dunedin | } | Supreme Court Offices. |
| Thames
Wanganui
Greymouth
Timaru
Oamaru
Ashburton
New Plymouth
Westport
Hokitika
Invercargill
Queenstown | } | District Court Offices. |

PATENT AGENTS.

A list of registered patent agents may be obtained on application.

Applications for Letters Patent filed.

LIST of applications for Letters Patent filed. (Where a complete specification accompanies an application an asterisk is affixed; in all other cases a provisional specification has been lodged. In cases where the applicant is not the inventor the name of the latter appears in italics after the title.)

- No. 22631.—3rd April.—W. R. Taylor, Rakaia, N.Z.
Sheep feed-box.
- No. 22632.—4th April.—E. Goltstein, Cologne, Ger.
Opening bottle-stoppers.*
- No. 22633.—4th April.—E. Goltstein, Cologne, Ger.
Bottle-capsule.*
- No. 22634.—4th April.—E. Goltstein, Cologne, Ger.
Closing bottles by means of metal capsules.*
- No. 22635.—4th April.—S. E. Bell, Wangaratta, Vic.
Fuel-economizer, soot-arrester, &c.
- No. 22636.—4th April.—G. J. Cox, Balwyn, Vic.
Securing cash-box of coin-freed apparatus.*
- No. 22637.—4th April.—G. J. Cox, Balwyn, Vic.
Indicating and recording the velocities of fluids.*
- No. 22638.—4th April.—R. Lowe, Brunswick, Vic.
Rotary and revolving action maze.

- No. 22639.—4th April.—E. G. McDougall, Wanganui, N.Z.
Machine for dividing and wrapping blocks of butter.
- No. 22640.—5th April.—T. Tait, Waiwera S., N.Z.
Wire-fence dropper.*
- No. 22641.—6th April.—H. McKinlay, Broken River, N.Z.
Sewing-machine needle.*
- No. 22642.—3rd April.—L. Burrell and D. H. Burrell, jun., Little Falls, U.S.A.
Shaft-mountings for centrifugal machines.*
(*M. L. Hoyt.*)
- No. 22643.—3rd April.—H. H. Kerr, Elsternwick, Vic.
Alternately supplying vacuum and air around teat-cups.
- No. 22644.—3rd April.—F. J. McDonald, Sydney, N.S.W.
Press for compressing material into bales.
- No. 22645.—4th April.—A. E. Usherwood and W. H. Hanlon, Dunedin, N.Z.
Valve-gear for engines.
- No. 22646.—5th April.—F. C. Thompson, Christchurch, N.Z.
Bracket for fixing blinds to window-sashes.
- No. 22647.—3rd April.—W. A. Tomlinson, Nelson, N.Z.
Tire-inflater.
- No. 22648.—4th April.—T. H. Davidson, Dunedin, N.Z.
Flax-scraping machine.*
- No. 22649.—5th April.—F. W. Payne, Dunedin, N.Z.
Hydraulic ram.*
- No. 22650.—2nd February.—G. J. Browne and E. Toms, Palmerston North, N.Z.
Machine for making sheet-metal seamed and grooved piping.*
- No. 22651.—9th April.—J. Callaghan, Dunedin, N.Z.
Milk can and measure.
- No. 22652.—6th April.—R. Wilson, Dunedin, N.Z.
Flue-attachment for ranges.*
- No. 22653.—6th April.—B. W. Benn, Meeniyar, Vic.
Vacuum motor for cow-milking apparatus.
- No. 22654.—6th April.—B. W. Benn, Meeniyar, Vic.
Cock and accessory for use with milking-machines.
- No. 22655.—10th April.—J. B. Davies and H. Bell, Melbourne, Vic.
Nail-making machine.
- No. 22656.—10th April.—W. Gillett and M. D. Lehmann, London, Eng.
Carburetter for internal-combustion engines.*
- No. 22657.—10th April.—H. Mote, Balmain, N.S.W.
Extension ladder.*
- No. 22658.—10th April.—J. Wilson, Auckland, N.Z.
Construction of moulds for use in forming concrete walls.
- No. 22659.—10th April.—D. Beckett, Reikiorangi, N.Z.
Wire-netting holder.
- No. 22660.—10th April.—J. Wilson, Auckland, N.Z.
Construction of armoured-concrete fencing-post.
- No. 22661.—10th April.—United Shoe Machinery Company, Paterson, U.S.A.
Construction of wire for the manufacture of metallic fasteners. (*F. H. Perry.*)
- No. 22662.—10th April.—G. T. Booth, Christchurch, N.Z.
Attachment to flax-stripper for truing up beaters of drum.
- No. 22663.—10th April.—United Shoe Machinery Company, Paterson, U.S.A.
Pulling-over machine. (*R. F. McFeely.*)
- No. 22664.—10th April.—J. A. Horton, Providence, R.I., U.S.A.
Wire-drawing drum.*
- No. 22665.—10th April.—W. Dunz, Granville, Eng.
Laying jointless stone-wood flooring.*
- No. 22666.—10th April.—A. Fischer, Adelaide, S. Aust.
Quick-heating water-vessel.*
- No. 22667.—10th April.—A. Fischer, Adelaide, S. Aust.
Cooking and baking apparatus.*
- No. 22668.—10th April.—A. Fischer, Adelaide, S. Aust.
Tap for water and gas.*
- No. 22669.—10th April.—A. Fischer, Adelaide, S. Aust.
Gas-burner.*
- No. 22670.—8th April.—J. Baird, Waikino, N.Z.
Using stored or compressed water for driving water-motor.
- No. 22671.—9th April.—G. D. Ross, Glasgow, Scotland.
Motor-vehicle wheel.*
- No. 22672.—9th April.—W. Scott and M. Richard, Glasgow, Scotland.
Machine for handing up or rolling dough.*
- No. 22673.—11th April.—R. Sylvester, Lindsay, Canada.
Agricultural machine.*

- No. 22674.—11th April.—D. O. Stewart, Wanganui, N.Z.
Applying pressure to liquids.
- No. 22675.—11th April.—H. Quertier, Dunedin, N.Z.
Suction road-cleaner.
- No. 22676.—11th April.—T. I. Youelle and J. Bellingham,
Wellington, N.Z.
Ferro-concrete and fireproof construction.*
- No. 22677.—11th April.—H. T. Twiss, Wellington, N.Z.
Street fire-alarm box.
- No. 22678.—12th April.—T. S. Page, Wellington, N.Z.
Manufacture of carburetted air for lighting,
heating, &c.*
- No. 22679.—12th April.—A. S. Thwaites, Christchurch, N.Z.
Ploughshare.*
- No. 22680.—12th April.—A. G. Monahan, Timaru, N.Z.
Tailboard for tip-carts.
- No. 22681.—12th April.—G. Davidson, Hokitika, N.Z.
Sprocket-chain.*
- No. 22682.—12th April.—T. S. Skeates, Auckland, N.Z.
Tire-protector.*
- No. 22683.—13th April.—H. J. Gaby, Kilbirnie, N.Z.
Step-ladder.
- No. 22684.—13th April.—J. E. Friend, Annandale, N.S.W.
Rotary steam-engine.*
- No. 22685.—13th April.—A. J. Lamb, Christchurch, N.Z.
Tramway-track cleaner.
- No. 22686.—10th April.—S. Lake, Berlin, Ger.
Dredging-vessel.*
- No. 22687.—10th April.—R. Weir, Mount Forest, Canada.
Clothes-wardrobe.*
- No. 22688.—10th April.—R. Weir, Mount Forest, Canada.
Clothes-wardrobe.*
- No. 22689.—11th April.—F. C. Brown, Komata, N.Z.
Lining tube-mills and other grinding and
pulverising machines.
- No. 22690.—15th April.—H. Cramer-Roberts, Waihi, N.Z.
Treatment of gold and silver ores.

Complete Specifications filed after Provisionals.

LIST of complete specifications filed after provisional specifications, from the 4th to the 17th April, 1907, inclusive:—

- No. 21328.—T. E. Bridger, extracting teeth.
- No. 21381.—J. W. Hardley, machine for bending and shaving metals.
- No. 21411.—J. Brown, stump-extractor.
- No. 21420.—J. D. McLaurin, testing bales of wool or hemp for heat or moisture.
- No. 21422.—T. D. Cummins, ascertaining the temperature of baled goods.
- No. 21427.—United Shoe Machinery Company, supporting and positioning of the work in machines used in the manufacture of boots and shoes. (E. E. Winkley.)
- No. 21428.—United Shoe Machinery Company, jack. (E. E. Winkley.)
- No. 21432.—J. A. Paterson, making incandescent oil-gas.
- No. 21462.—A. W. H. Vivian, artificial fuel.
- No. 21979.—H. Hill and J. Blain, mitre-box and cramp.
- No. 22024.—G. T. Wilson and H. Downs, railway fish-plate.

Notice of Acceptance of Complete Specifications.

Patent Office,
Wellington, 17th April, 1907.

COMPLETE specifications relating to the undermentioned applications for Letters Patent have been accepted, and are open to public inspection at this office. Any person may, at any time within two months from the date of this *Gazette*, give me notice in writing of opposition to the grant of any such patent. Such notice must set forth the particular grounds of objection, and be in duplicate. A fee of 10s. is payable thereon.

No. 20970.—7th April, 1906.—WILLIAM SAMUEL CLARKE, of Steuart Street, Mount Eden, Auckland, New Zealand, Plasterer. Improvements in fixing up plastering or other laths.*

Claim.—Improvements in fixing up plastering or other laths. The described improvements in the fixing-up of plastering or other laths consists in fixing up with the aid of gauges any convenient number of laths at one time, instead of fixing them up one lath at a time as is now done.

(Specification, 2s. ; drawing, 2s.)

No. 20993.—12th April, 1906.—GEORGE ROBSON, of 114A Pitt Street, Sydney, New South Wales, Australia, Mining Agent. An improved apparatus for lighting and extinguishing from a distance street and other gaslights.

Claims.—(1.) A device for lighting and extinguishing from a distance street and other gaslights, characterized by an outer casing, a gas-chamber in communication with gas-supply covered by a bell with mercury seal, said bell being adapted to rise and fall by the variation of pressure within the chamber, and having attached thereto a hanging link which engages and oscillates a balanced beam carrying a pair of small bells, which overlie the gas-outlets to the burners so as to alternately control the supply of gas thereto, substantially as described, and illustrated in the drawings. (2.) A device for lighting and extinguishing from a distance street and other gaslights, having an outer casing, a gas-chamber with cover adapted to rise and fall, a pair of gas-outlets with mercury seals, a pair of small bells suspended from a balanced oscillating beam and overlying said mercury seals, and a link attached to the gas-chamber cover for the purpose of oscillating the beam. (3.) In a device for lighting and extinguishing from a distance street and other gaslights, a balanced oscillating beam carrying a pair of small bells which are alternately immersed in the mercury seals surrounding the gas-outlets, and retained in the immersed position by the pressure within the gas-chamber, for the purpose and substantially as described, and illustrated in the drawings.

(Specification, 5s. 3d. ; drawing, 2s.)

No. 21243.—31st May, 1906.—ARTHUR INNES JONES, of Cricklewood, Canterbury, New Zealand, Farmer. Improvements in apparatus for treating flax.*

Claims.—(1.) Apparatus for the purpose indicated, consisting of the parts constructed, arranged, combined, and operating substantially as and for the purposes specified, and as illustrated in the drawing. (2.) In apparatus of the nature indicated, the employment of an endless belt carrying gripper-jaws which automatically open to receive the hank of flax close to grip and carry the same, and automatically open to release it, substantially as and for the purposes specified, and as illustrated in the drawing. (3.) In apparatus of the nature indicated, a device for throwing in and out of gear the clutch for actuating the belt, consisting of the pinion upon the spring of the stripping-roller, the mutilated spur wheel gearing therewith, the bell-crank lever actuated by the stops upon the belt, and a weighted lever with its connecting-parts which throws the clutch in and out of gear, substantially as specified and illustrated. (4.) In apparatus for the purpose indicated, means for setting in motion the various parts of the apparatus, consisting in utilising the rise of the upper stripping-roller when a blade of flax is passed between it and the lower roller, substantially as specified and illustrated.

(Specification, 5s. 6d. ; drawing, 2s.)

No. 21248.—1st June, 1906.—JOHN GALT, of Mataka, New Zealand, Merchant. Improvements in sleeve-links.*

Claim.—In sleeve-links having a spring connection between its members, the combination with the spring of a chain passing along through it, and connected at its ends to the respective members of the link, such chain being of such a length as to lie loosely within the spring when it is contracted, and to prevent distension of the spring beyond a certain amount, substantially as specified.

(Specification, 1s. 6d. ; drawing, 1s.)

No. 21261.—6th June, 1906.—CLEMENT LUCAS, of Wellington, New Zealand, Labourer. Improvements in hangers for scaffolding-brackets.*

Claim.—A hanger for scaffolding-brackets, having a stem adapted to pass through a wall and provided with a cross-head upon its inner end, in combination with a plate adapted to bear against the face of the wall and formed with a slot therein of such a size and shape as to permit of the cross-head passing through it when held in one position, but to engage with the edges of the slot when given a partial revolution, substantially as specified.

(Specification, 2s. 9d. ; drawing, 1s.)

No. 21318.—15th June, 1906.—JAMES IRVINE, of Regent Street, Napier, New Zealand, Commission Agent. Improved means for use in fastening the wires of wire fencing to the posts or standards.*

Claims.—(1.) In means for attaching fencing-wires to the posts or standards, a staple having one leg adapted to pass into the standard while its other end is adjusted to leave an opening sufficiently wide to permit of the fencing-wire passing through between it and the standard surface, in combination with a plate formed with a longitudinal slot therein fitting on to the leg of the staple and adapted to move up and down thereon so that when in the raised position the opening between the staple end and the standard will be left free, and when in the lowered position such opening will be closed, substantially as specified. (2.) The improved means for use in fastening the wires of wire fencing to the posts or standards, substantially as described and explained, and as illustrated in the drawings.

(Specification, 3s. 9d. ; drawing, 1s.)

No. 21851.—1st October, 1906.—THOMAS DAWSON, of Maraekakaho, Hawke's Bay, New Zealand, Engineer. An improved chock for steadying oil-engines, chaff-cutters, vehicles, or the like.*

Claim.—The improved chock for steadying oil-engines, chaff-cutters, vehicles, and the like, the same consisting of a base-piece having an upwardly inclined member secured to or formed integrally therewith and adapted at its upper end to fit against the face of the article to be steadied, in combination with a chain secured at one of its ends to the chock and having a hook on its free end, substantially as and for the purpose specified.

(Specification, 2s. 3d. ; drawing, 1s.)

No. 21921.—17th October, 1906.—ERNEST OLD, of Dingee, Victoria, Australia, Farmer. Improvements in clamping-devices, specially applicable to agricultural implements.*

Claims.—(1.) In clamping-devices for agricultural-impliment tines and other mechanism, a beam slotted at intervals, a retaining-plate inserted in each slot, an aperture in each retaining-plate, a tine or member to be clamped inserted in each said aperture on one side of the beam, and a tightening-wedge inserted in each said aperture on the other side of the beam, substantially as illustrated. (2.) In combination with the matter of claim 1, a pressure-bar, substantially as described. (3.) In clamping-devices, beam-slots set at an angle, in combination with apertured plates to receive tines and wedges, all substantially as described. (4.) In clamping-devices, the combination set forth for holding an apertured retaining-plate in a slotted beam when the aperture is occupied by a wedge and not by a tine.

(Specification, 3s. ; drawing, 1s.)

No. 21978.—25th October, 1906.—ALFRED ADAIR, of 16A Overbeek Street, Troyeville, Johannesburg, Transvaal, Consulting Chemist and Metallurgist. Improvements in the cyanide treatment of ores.*

Claims.—(1.) In the cyanide process for the extraction of metals from their ores, the use in the presence of alkali of raw amber, substantially as described. (2.) In the process as set forth in claim 1, the association with the amber of one or more of the more easily reducible soluble oxygen-giving salts, substantially as and for the purpose described. (3.) The improvements in the cyanide treatment of ores, substantially as described.

(Specification, 2s. 3d.)

No. 22444.—20th February, 1907.—LOUIS TASMAN REICHEL, of 62 Rolleston Street, Wellington, New Zealand, Electrical Engineer. A moisture-indicator for wool or other baled goods.*

Claims.—(1.) The method of ascertaining the amount or degree of moisture in wool, flax, tow, grain, or similar goods, by bringing two or more contacts or conductors in contact with such wool, flax, &c., and by any suitable electric indicator measuring or obtaining an indication as to the degree of conduction or resistance offered to an electric current passing through such wool or flax between the contacts, substantially as described. (2.) For the purpose mentioned, the

combination of an electric battery, a galvanometer or ohmmeter connected by wires to two or more contacts inserted in bales of wool, flax, &c., substantially as described. (3.) For the purpose mentioned, the combination of an electric battery or generator connected by insulated wires to two or more contacts inserted in wool, flax, &c., and a relay which operates an electric bell or lamp when a predetermined current is exceeded, substantially as described. (4.) For the purpose mentioned, the combination of a resistance-testing set connected by wires to two or more contacts inserted in bales of wool, flax, tow, &c., substantially as described. (5.) For the purpose mentioned, a metallic spear, the point of which may form one contact, on which is mounted one or more metal ferrules which constitute the other contact or contacts, insulated from the said spear by a sheath of insulating-material, and having wires attached, substantially as described. (6.) For the purpose mentioned, a rod of wood or metal to which is attached a handle at one end and at the other two or more short spears or contacts of metal or other conducting-material, insulated from each other and from the rod of wood or metal by mica, vulcanite, or other insulator, substantially as described. (7.) For the purpose mentioned, two or more short spears or contacts mounted on a base of wood or metal having an eyebolt attached, and insulated from each other and from said block by mica or other insulating material, the whole being specially adapted for inserting into bales of dumped wool under pressure, substantially as described.

(Specification, 4s. 6d. ; drawing, 1s.)

No. 22447.—21st February, 1907.—FREDERICK EDMOND GARD, of 447 Oxford Street, Paddington, New South Wales, Australia, Bootmaker; ALFRED RICHARD POLLEY, of Rowe Street, Woollahra, New South Wales, Australia, Brewer; and LLEWELLYN CHARLES RUSSELL JONES, of 117 Pitt Street, Sydney, New South Wales, Australia, Solicitor. Improved mail-bag fastener.

Extract from Specification.—The improved fastener is made of brass or other such metal, in two parts, namely, the outer case and the tongue. The outer case is securely fixed on to one end of the strap or band, whilst the tongue is securely fixed to the other end of the strap or band. The strap or band is securely riveted to the neck of the mail-bag and becomes a part of the mail-bag, thereby saving much time and inconvenience.

[NOTE.—The above extract from the specification is inserted in place of the claims.]

(Specification, 4s. ; drawing, 1s.)

No. 22456.—21st February, 1907.—CHECKOGRAM LIMITED, of 33 Southampton Street, Strand, London, England, Manufacturers (assignee of James John Stockall, junior, of 10 Clerkenwell Road, London, England). Improvements in apparatus for delivering, receiving, and registering the delivery and receipt of tickets, checks, or the like for admission to theatres, halls, athletic and race grounds, and other places.

Claims.—(1.) The improved check-ejecting apparatus comprising a casing, socket on the casing prepared for the reception of changeable check-magazines, the device for controlling the insertion of the magazine to its socket consisting of the spring-urged stop-pin *g*, lever *k*, slotted ejector *c*, the mechanism for operating the counter consisting of the feed-wheel *n*, escapement-lever *o*, escapement-pin *p*, feed-pin *q*, and arm *r*, the mechanism for controlling the exit or entrance of the ejecting opening consisting of the ejecting-disc *u*, disc-spindle *v*, crown-wheel *w*, pinion *x*, crown-wheel *y*, and cog-wheels *z*, *z*¹, *z*², the compound circuit-closing device consisting of the contact-cam 2, contact-pin 3, and the pivoted spring-urged contact-beam 4, the plunger 6, spring-urged contact-beam 7, spring-urged contact-piece 9, and contact-patch 10, the ticket-actuated device for operating the mechanical counter consisting of the pivoted arm 12, rocking-spindle 13, rocking-arm 14, link 15, counter-operating lever 16 with pin-pallet-, or projection-provided jaws, spring-urged pivoted compensating-arm 17, and counter-wheel *n*¹, the circuit-closing device actuated by the ticket-actuated device for operating the mechanical counter consisting of the non-conducting foundation-plate 24, spring-urged and pivoted contact-beam 25, and contact-pin 29, combined and operated substantially as set forth. (2.) In apparatus of the kind referred to in the preceding claiming-clause, means for controlling the insertion of the magazine to the operating position, substantially as set forth. (3.) In apparatus of the kind referred to in the first claiming-clause hereof, means for operating the counter substantially as set forth or illustrated in Figs. 1,

2, 3, 4, 5, and 7 as set forth. (4.) In apparatus of the kind referred to in the first claiming-clause hereof, means for intermittently closing the opening through which the tickets or checks are ejected, and for ejecting such tickets or checks clear of the said opening, substantially as set forth. (5.) In apparatus of the kind referred to in the first claiming-clause hereof, means of closing an electric circuit by the combined effort of two distinct circuit-closers, substantially as set forth. (6.) In apparatus of the kind referred to in the first claiming-clause hereof, means for operating a mechanical counter through the medium of the ticket or check during the process of its ejection, substantially as described or illustrated. (7.) In apparatus of the kind referred to in the first claiming-clause hereof, means for operating a circuit-closing device through the medium of mechanism of the nature claimed in the preceding claim, substantially as set forth. (8.) In apparatus of the kind referred to, the magazine consisting of the magazine-casing 30, loop 31, sliding charging-lid 32, upper lock 33, feed-plates 34, ticket-opening 35, lower lock 37, key-boss 39, retaining-plate 40, and ward-recess 41, substantially as described.

(Specification, 14s. ; drawing, 3s.)

No. 22465.—26th February, 1907.—WILLIAM GABRIEL BARGER, of 231 Franklin Street, Melbourne, Victoria, Australia, Agricultural-implement Maker. Improvements in disc ploughs.

Extract from Specification.—The object of my invention is to provide an implement which may be simply converted so as to be used as a two, three, four, or more furrowed disc plough. The rear steering-wheel is capable of being moved to or from the discs, and made fast in any predetermined position. My invention also permits of a disc being raised or lowered so that the lower or cutting edges of all the discs will be in the same plane as the ground; that is to say, if one disc be worn small, it can be lowered so that its lower edge will be on the same level as that of its larger fellow or fellows. Or, for instance, should three discs of a four-furrowed plough be worn small, they may all three be lowered to the level of the unworn or larger disc, and the bottom edges of all four discs be in a line. In addition to the foregoing, the discs may be so mounted that they may be either stump-jumping or non-stump-jumping.

[NOTE.—The above extract from the specification is inserted in place of the claims.]

(Specification, 12s. 6d. ; drawing, 2s.)

No. 22480.—28th February, 1907.—LA SOCIÉTÉ ANONYME WESTINGHOUSE, of 45 Rue de l'Arcade, Paris, France, Manufacturers, and MAURICE LEBLANC, of Villa Montmorency, Auteuil, Paris, France, Engineer. Improvements in or relating to jet or surface condensers.

Claims.—(1.) A condensing-chamber for jet or surface condensers, having two or more compartments maintained respectively at successively increased pressures, into which, through the passages between consecutive cones, flows a portion of the vapour to be condensed, after a partial reversal of its original direction of movement, said portion of vapour giving up a part of its energy to the vapour which passes directly to the last compartment, whence the uncondensed vapour is withdrawn by the vacuum pump. (2.) A jet-condenser constructed substantially as described with reference to Fig. 3 of the drawings. (3.) A surface-condenser constructed substantially as described with reference to Fig. 4 of the drawings.

(Specification, 5s. 6d. ; drawing, 1s.)

No. 22502.—4th March, 1907.—HARRY WOOD DOWNING, of Christchurch, New Zealand, Saddler. An improved stirrup.

Claim.—The improved stirrup formed by a plate of metal with or without upwardly turned ends, and having a transverse slot near each end, and a keeper upon its under side, which slots and keeper are adapted to receive a stirrup-strap, substantially as specified.

(Specification, 2s. ; drawing, 1s.)

No. 22503.—4th March, 1907.—MORTIMER FREDERICK MIEVILLE, of "Summersdale," Chichester, Sussex, England, Engineer. Improvements in apparatus for the production of carburetted air.

Claims.—(1.) In apparatus for the production of carburetted air, the combination of an aerometer for storing pure air under pressure, to which the supply of air is automatically regulated, and from which it is supplied to a carburetter consisting of separate chambers provided with adjustable valves by which a part of the pure air is carburetted and passed through a drying-chamber and a part through a drying-chamber only, the two columns of air being then admitted to a mixing-chamber by automatically controlled valves, and thence to a gasometer having a safety stop for the prevention of back-fire, substantially as described and illustrated. (2.) In apparatus for the production of carburetted air as described in claim 1, the arrangement of the pipe *i* from the aerometer, formed with two branches *j* and *k*, and having the valves *l* and *m* for regulating the supply of air to the carburetter, substantially as described and illustrated. (3.) In apparatus for the production of carburetted air as described in claim 1, a carburetter constructed substantially as shown in Fig. 3, and consisting of separate carburetting and drying chambers, and the separated columns of pure and carburetted air respectively passing from the carburetter through the valves *s*, *w*, to the mixing-chamber *x* and thence to the gasometer, substantially as described. (4.) In apparatus for the production of carburetted air as described in claim 1, the arrangement of the rods *e*, *e*, and stops *h*, *h*¹, connected with the sliding bell of the aerometer, and automatically regulating the supply of air through the valve *d*, substantially as described. (5.) In apparatus for the production of carburetted air as described in claim 1, the arrangement of the rods *B*, *C*, and stops *E*, *F*, connected with the sliding bell of the gasometer and automatically regulating the supply of carburetted air and pure air to the mixing-chamber *x* and gasometer *y*, substantially as described. (6.) In apparatus for the production of carburetted air as described in claim 1, the valve *I* fitting and closing the delivery-pipe *G* from the gasometer when the latter is emptied of its contents, substantially as described.

(Specification, 5s. ; drawing, 1s.)

No. 22504.—4th March, 1907.—ANGELO CIPRIANO BARONIO, of 20 Cophall Avenue, London, England, Telegraphic-code Specialist (assignee of Alexander Muirhead, of the Lodge, Shortlands, Kent, England, D.Sc., F.R.S., Telegraph Engineer). Improvements in and relating to electric telegraphy.

Claims.—(1.) In a system of electric telegraphy, the employment of a plurality of voltages for the purpose of superimposing upon the received telegraphic outlines separate markings for contemporaneously indicating vowels, or other additional characters. (2.) In a system of electric telegraphy, the employment of a succession of current-impulses and a plurality of voltages in such manner that the received outlines are of varying height but equal length, and the letters of each word follow one another without the usual space between them, and whereby the number of current-impulses or time-intervals required for the transmission of communications is diminished. (3.) For use in an automatic telegraph transmitter, a strip or tape having three rows of side perforations, two of which are the ordinary signalling perforations, whilst the third or "extra" row is for the purpose of varying the voltage of both positive and negative sign applied to the telegraphic conductor and thereby producing movements of the index of the receiving instrument of varying amplitude. (4.) A telegraphic perforator having an "extra" punch adapted to be operated simultaneously with the usual "dot" and "dash" punches. (5.) A telegraphic perforator constructed or arranged substantially as described or illustrated. (6.) For the purpose of transmitting a single train of telegraphic signals, an automatic telegraph transmitter having an "extra" contact lever whose movements are governed by a strip or tape perforated with an "extra" row of holes, and whereby a different voltage is applied to the telegraphic conductor to produce movements of the index of the receiving instrument of varying amplitude. (7.) An automatic telegraph transmitter constructed or arranged substantially as described or illustrated. (8.) For use at the receiving station of a telegraphic system, a strip or tape perforated or impressed with an "extra" row of holes or markings due to a different voltage having been applied to the sending end of the telegraphic conductor. (9.) For use in recording or retransmitting a single train of signals received from a telegraphic

conductor, a movable coil, a contact-tongue, a contact-surface of five or more separate insulated sections, and means in connection with certain of the said insulated sections whereby the movements of greater amplitude of the tongue are caused either to send corresponding current-impulses into another cable, or to perforate or impress corresponding additional indications upon a tape or strip, or to operate one or more separate indicating-devices such as ink-rollers or pencil-points. (10.) The telegraphic receiving and retransmitting and perforating or impressing arrangements substantially as described, and illustrated with reference to Figs. 5, 6, and 7 of the drawings.

(Specification, 19s. 6d. ; drawing, 3s.)

No. 22505.—4th March, 1907.—GEORGE RISCHMULLER, of 842 37th Street, Oakland, Alameda County, California, United States of America, Manufacturer of Door-openers. Turbines.

Extract from Specification.—This invention relates to improvements in turbines, the object of this invention being—first, to provide a turbine which can be constructed at a comparatively small cost, requiring very little machining or fitting of parts; second, to provide one which will be as small and compact as possible for a given development of power, and for this reason to so construct it that at no time shall there be any dead steam contained in any of the recesses of the turbines not actually doing work in propelling the turbine; third, to provide one in which the recesses for admitting the steam shall vary but slightly in size, and shall be distributed as evenly as possible over the surface of the moving member, and yet at the same time allow for the expansion of the steam in passing from one series of recesses to another; fourth, to provide one in which the pressure on both sides of the movable member shall be evenly balanced, thereby avoiding any vibration or undue friction; fifth, to provide a construction in which the steam shall enter and leave the recesses in the most effective manner for imparting its momentum to the movable member.

[NOTE.—The above extract from the specification is inserted in place of the claims.]

(Specification, 9s. ; drawing, 1s.)

No. 22507.—4th March, 1907.—FRANK WEST SUTER, of 67 St. John's Park, Upper Holloway, North London, England, and CHARLES WAYMAN, of 12 Princes Avenue, Church End, Finchley, North London, England, Engineers. An improved safety-lamp and air-carburetted apparatus therefor.

Claims.—(1.) In a lamp for burning carburetted air, utilising the heat of the flame to warm the air flowing into and enveloping the carburetted-chamber, substantially as and for the purpose described. (2.) In a lamp for burning carburetted air, the combination with the carburetted-chamber of an air-jacket and air-inlets so disposed near the burner or in conjunction with a globe, such as R, that the inflowing air is heated before entering the jacket-space and the carburetter, substantially as described. (3.) In a lamp for burning carburetted air, the combination with the carburetted-chamber of an air-jacket through which passes air heated by the flame, and ports or valves so arranged and operated as to enable the simultaneous regulation of the flow of air into the carburetter, the flow of inflammable mixture therefrom, and the supply of fresh air from the jacket-space to this mixture in the burner-tube, substantially as described. (4.) The combination and arrangement of parts constituting the complete lamp for burning carburetted air, substantially as described, or illustrated in Figs. 1, 2, 2A, and 2B, or in Figs. 3, 4, 5, 6, and 7, or in Fig. 8, of the drawings.

(Specification, 7s. 6d. ; drawing, 3s.)

No. 22517.—6th March, 1907.—HENRI PATAUD, of 15 Rue de la Federation, Paris, France, Civil Engineer. Improvements in vehicle-wheel rims.

Claims.—(1.) A detachable rim comprising two grooved rings, which when fitted into each other form an annular housing in which is placed an elastic collar characterized by this, that the elastic collar has a recess *m* in which is introduced a rubber washer *l* intended to be pressed, in the working-position of the rim, against a recess *n* on the movable part of the rim, so as to insure tightness of the annular housing. (2.) A detachable rim according to claim 1, in which the opening and closing of the collar are effected by turning a screw *t*,

engaging a piece in the form of a wing-nut *s*, in which it may turn freely, and whose free ends are joined to toggle-links *j*, *g*, which in their turn are articulated to the free ends of the elastic collar, said screw having its purchase from a cover *u*, secured tightly on the fixed part of the rim.

(Specification, 2s. ; drawing, 1s.)

No. 22518.—6th March, 1907.—THE IMPERIAL WRITING-MACHINE COMPANY, LIMITED, a body corporate established under the laws of the Dominion of Canada, and having its headquarters at No. 80 St. Francois Xavier Street, Montreal, Quebec, Canada (assignees of Charles Wesley Davis, Manufacturer, and George William Davis, Superintendent, both of No. 45 Mackay Street, said City of Montreal, and Wellington Parker Kidder, of Jamaica Plains, Boston, Massachusetts, United States of America, Inventor). Improvements in typewriters.

Extract from Specification.—The invention may be said briefly to consist of a new carriage-frame, including means for securing the same to the machine-frame; new anti-friction means for supporting the carriage in its supporting-frame; novel marginal stops, new tabulator mechanism, novel escapement mechanism, including universal-bar mechanism, and devices for yieldingly retaining the universal bar and escapement pawls in their normal positions; novel space-back mechanism; novel automatic ribbon-feeding and reverse mechanism operated through the medium of the universal-bar mechanism; novel means for operating the ribbon-rocker so that the rocker can be rocked when the ribbon is being reversed without affecting the operation of the universal bar; novel means for releasing the escapement rack from its pinion; novel means for varying the extent of rotation of the platen; novel platen-lock; novel means for pressing the paper upon the platen; novel type-bar and type-bar action whereby all sliding connections or contacts between the type-bar and key-levers are dispensed with; means for overcoming the unsteadiness of the space-bar; shift devices and lock including a particular spring connection between certain of the parts whereby the shift-keys are returned to their normal positions and yieldingly held there; a novel stop for limiting the movement of the space-bar in both directions; novel arrangement of the shift-shafts to facilitate assembling and dismembering of the operating mechanism of the machine.

[NOTE.—The above extract from the specification is inserted in place of the claims.]

(Specification, £2 18s. ; drawing, 11s.)

No. 22525.—5th March, 1907.—NELSON GOODYEAR, of Manhattan, New York (Post-office address, 21 Barclay Street, New York City, New York), United States of America, Engineer. Improvements in acetylene-generators.

Extract from Specification.—This invention relates to acetylene-generators, and its objects are, in general, to improve upon the construction of such generators and increase their efficiency and certainty of operation. Other objects of the invention are to improve the carbide-feeding mechanism of the generator, to insure the opening of a vent to a generating-chamber when the flush-out or lime-gate for moving the residuum is open, to insure the opening of the vent when water is introduced into the generating-chamber, and to prevent the vent from being left open after charging the machine. The gasometer is of an improved type, of which the filter is contained within the gasometer-tank, and suitable drainage-means, blow-off and gas-washing means are provided in the gasometer.

[NOTE.—The above extract from the specification is inserted in place of the claims.]

(Specification, £1 ; drawing, 2s.)

No. 22526.—5th March, 1907.—GEORGE TAYLOR MUIR, THOMAS MCLEOD MUIR, and JAMES KENNEDY MUIR (the Younger), trading together as "J. and T. Muir," of Leveson Street, North Melbourne, Victoria, Australia, Ironfounders (assignees of Walter Charles Turpel, of Golden Anchor Hotel, George Street West, Sydney, New South Wales, Australia, Moulder). Improved manufacture of sash-weights and apparatus used therein.

Claims.—(1.) An improved manufacture of sash-weights consisting in forming a series of moulds in one box, with a common transverse gate pattern, plugging the outer ends of each mould, fitting removable line-slot chill-cores therein,

and pouring the metal through a common pouring-gate, substantially as set forth. (2.) An improved manufacture of sash-weights consisting in placing a series of patterns in a box with a common gate pattern, withdrawing the sash-weight patterns endwise through neck-holes in the end plates of the box, plugging the outer end of each mould with chills carrying the cores for forming the line-slots, withdrawing the gate pattern, and pouring the metal through a common pouring-gate after the open ends thereof have been plugged, substantially as set forth. (3.) In the manufacture of sash-weights, plugging the outer end of each mould with chills, and fitting into holes therein the stems of line-slot chills, which are withdrawn when the casting is completed, substantially as set forth. (4.) In the manufacture of sash-weights, the employment of the apparatus herein described, and illustrated by the drawings, consisting essentially of a box having slotted sides and adjustable end pieces formed with neck-holes therein, end chills to plug the outer ends of the moulds, line-slot chill-cores to fit said end chills, and a common transverse gate pattern adapted to pass through holes in said sides.

(Specification, 3s. 3d. ; drawing, 1s.)

No. 22534.—13th March, 1907.—SAMUEL ERNEST BELL, of Wangaratta, Victoria, Australia, Blacksmith. Improvements in milk-buckets and similar vessels.

Claims.—(1.) A bucket having a pair of oppositely set wide-mouthed bays as safety supporting-devices, substantially as set forth. (2.) A bucket having more than one pair of oppositely set wide-mouthed bays as safety supporting-devices, substantially as set forth. (3.) In a bucket, wide-mouthed bays for the purpose set forth, each having its indentation deeper near its top than its bottom. (4.) A bucket having a single wide-mouthed bay extending completely (or for more than a semicircle) round it as a safety device, substantially as set forth. (5.) A bucket (or blenk therefor) formed with large holes at opposite sides, the said holes being filled by plates to form bays for supporting purposes, as indicated.

(Specification, 3s. 9d. ; drawing, 1s.)

No. 22537.—14th March, 1907.—THE BRITISH WESTINGHOUSE ELECTRIC AND MANUFACTURING COMPANY, LIMITED, of Westinghouse Building, Norfolk Street, Westminster, England, Manufacturers (assignees of Benjamin Garver Lamme, of 230 Stratford Avenue, Pittsburg, Pennsylvania, United States of America, Electrical Engineer). Connection system for dynamo-electric machines.

Claims.—(1.) An alternating-current commutator dynamo-electric machine of the series type, in which one of the windings of the machine is prevented from being traversed by direct current, for the purpose specified. (2.) A dynamo-electric machine of the kind described, having one of its windings connected in series with the primary winding of a transformer, the secondary winding of which is connected to the other winding of the machine, for the purpose specified. (3.) A dynamo-electric machine of the kind described, having an impedance device connected in shunt with one of its windings, for the purpose specified. (4.) For a dynamo-electric machine of the kind described, an impedance device connected in shunt with one of the windings of the machine, the core of the said device being constructed so as to be magnetically saturated when a predetermined amount of current traverses that winding of the machine with which the device is connected, for the purpose specified. (5.) For a dynamo-electric machine of the kind described, an impedance device connected in shunt with one of the windings of the machine, the value of the current at which the core of the device becomes magnetically saturated being arranged to be varied, for the purpose specified. (6.) An alternating-current dynamo-electric machine of the kind described, having its field-magnet winding arranged to be separately excited when the machine is operated as an alternating-current generator, for the purpose specified. (7.) An alternating-current commutator dynamo-electric machine of the series type, in which the flux produced by the field-magnet windings is caused to approximately coincide in phase with the electromotive force of the circuit to which the machine is connected when operating as a generator, for the purpose specified. (8.) An alternating-current commutator dynamo-electric machine of the series type which may be operated either as a motor or a generator, provided with means by which the amount of current traversing the field magnet winding may be caused to be different from that traversing the armature winding when the machine is operated as a generator, the field magnetism being caused to agree approximately in phase with the electromotive force of the circuit to which the machine is connected, for the purpose specified. (9.) An alternating-current dynamo-electric generator of the kind described, having a separately energised

field-magnet winding and a high ohmic resistance connected in series therewith, for the purpose specified. (10.) The various arrangements for operating and controlling dynamo-electric machines of the commutator type, substantially as described with reference to any of the figures of the drawings.

(Specification, 13s. 9d. ; drawing, 2s.)

No. 22538.—14th March, 1907.—THE BRITISH WESTINGHOUSE ELECTRIC AND MANUFACTURING COMPANY, LIMITED, of Westinghouse Building, Norfolk Street, Westminster, England, Manufacturers (assignees of Benjamin Garver Lamme, of 230 Stratford Avenue, Pittsburg, Pennsylvania, United States of America, Electrical Engineer). Connection system for alternating-current commutator-type motors.

Claim.—An alternating-current commutator dynamo-electric machine having series-connected armature and field-magnet windings and provided with an impedance device connected in shunt with the field-magnet winding, the core of the said device being so dimensioned as to become magnetically saturated more quickly than the magnetic circuit of the field-magnet winding, for the purpose specified.

(Specification, 5s. ; drawing, 1s.)

No. 22539.—14th March, 1907.—THE BRITISH WESTINGHOUSE ELECTRIC AND MANUFACTURING COMPANY, LIMITED, of Westinghouse Building, Norfolk Street, Westminster, England, Manufacturers (assignees of Benjamin Garver Lamme, of 230 Stratford Avenue, Pittsburg, Pennsylvania, United States of America, Electrical Engineer). Connection system for dynamo-electric machines.

Claims.—(1.) A control system for electric motors of the kind described, in which, when it is desired to operate the motors as generators, their field-magnet windings are energized from an auxiliary generator of the commutator type, the field-magnet winding of which is connected to the supply-circuit, for the purpose specified. (2.) A control system for a plurality of electric motors of the kind described, in which, when it is desired to operate the motors as generators, one or more of the motors is utilised as an auxiliary generator or generators for exciting the field-magnet windings of the remaining motor or motors, for the purpose specified. (3.) Control systems for operating alternating-current commutator dynamo-electric machines, arranged substantially as described and shown with reference to any of the figures of the drawings.

(Specification, 10s. ; drawing, 3s.)

No. 22540.—14th March, 1907.—THE BRITISH WESTINGHOUSE ELECTRIC AND MANUFACTURING COMPANY, LIMITED, of Westinghouse Building, Norfolk Street, Westminster, England, Manufacturers (assignees of Benjamin Garver Lamme, of 230 Stratford Avenue, Pittsburg, Pennsylvania, United States of America, Electrical Engineer). Connection system for dynamo-electric machines.

Claims.—(1.) A direct-current generator of the kind described, having its field-magnet winding connected in shunt with a secondary battery, the voltage of which is equal to the drop of potential in the field-magnet winding for a normal load on the generator, for the purpose specified. (2.) A control system for a direct-current electric motor used as a braking generator, in which a battery is arranged to be connected in shunt to the field-magnet winding before the motor is connected in the braking circuit, substantially as described.

(Specification, 3s. 3d. ; drawing, 1s.)

No. 22551.—13th March, 1907.—IVAR PETER BAGGER KNUDSEN, of Svanemollevej 56, Copenhagen, Denmark, Director. Improvements in centrifugal machines.

Claims.—(1.) A supported centrifugal drum in which the pivot of the drum, which is not connected fixedly with the driving-shaft, is supported by a bearing capable of following the oscillations of the drum, characterized (a) by the centre of this bearing being situated in or near the horizontal plane passing through the centre of gravity of the drum, and (b) by a carrier which is loosely connected to the drum as well as to the driving-shaft, said carrier carrying the drum with it and supporting the drum some distance above the centre of gravity of the latter, and being capable of oscillating round its point of connection (which is situated considerably below said centre of gravity) to the driving-shaft; this arrangement having for effect that the drum is capable of rotating

freely round an axis of inertia which is situated in any position relatively to the axis of the carrier, whilst its oscillation has also the result of raising its centre of gravity so that it will have a constant tendency to return to its normal or equilibrium position. (2.) A constructional form of the centrifugal drum specified in claim 1, characterized by the fact that the carrier consists of a shaft or rod having forked ends which engage cross-pins or trunnions on the driving-shaft and on the pivot or the bottom of the drum.

(Specification, 3s. 9d.; drawing, 1s.)

No. 22552.—13th March, 1907.—IVAR PETER BAGGER KNUDSEN, of Svanemollevvej 56, Copenhagen, Denmark, Director. Improvements in centrifugal separators.

Claims.—(1.) In separator-drums of the kind which are suspended on the top of a vertical shaft in such a manner that it is capable of moving freely in relation to this, the arrangement consisting in the separator-drum revolving round a movable guide-pivot in a ball-guide in a fixed bearing, the guide-pivot at a place outside the ball-guide being enclosed by a device capable of receiving the actuations transmitted from the drum to the guide-pivot without producing reactionary effects. (2.) A form of execution of the arrangement mentioned in claim 1, characterized by the device mentioned in claim 1, consisting of a ring of leather, ebonite, or the like fastened round the guide-pivot, said ring being pressed between two surfaces, thereby being capable of receiving the actuations transmitted without producing reactionary effects. (3.) A form of execution of the arrangement mentioned in claim 1, characterized by the guide-pivot being placed between fixed and tightened cords receiving the actuations transmitted.

(Specification, 3s.; drawing, 2s.)

No. 22553.—13th March, 1907.—IVAR PETER BAGGER KNUDSEN, of Svanemollevvej 56, Copenhagen, Denmark, Director. An improved bearing for rapidly rotating bodies.

Claim.—In a bearing for a rapidly rotating body, the combination with the shaft which supports said body, of a disc encircling the shaft and displaceable therewith in a direction transversely of the axis of the bearing, a spring tending to maintain the disc and shaft in axial alignment with the bearing, and a pair of surfaces between which the disc is clamped in such manner as to cause frictional resistance to be offered to movements of the disc and shaft transversely of the axis of the bearing, substantially as described.

(Specification, 2s. 3d.; drawing, 1s.)

No. 22650.—2nd February, 1907.—GEORGE JOHN BROWNE, of Kairanga Road, Palmerston North, New Zealand, Mechanical Engineer, and EDWIN TOMS, of Fitzherbert Street, Palmerston North aforesaid, Commercial Traveller. Improved machine for making sheet-metal seamed and grooved piping.

Claims.—(1.) The improved machine for making sheet-metal seamed and grooved piping comprising, in combination, a hopper, revolving mould with groove, which receives the edge of sheet metal and by the revolution makes the top lap, a sliding or thrust bar making bottom lap by forcing edge into mould-recess, thereby preparing pipe ready for seaming, substantially as described. (2.) The improved machine for making sheet-metal seamed and grooved piping comprising, in combination, a carriage to male and female seamers which press laps into seams, and locked by grooving-wheel, substantially as described. (3.) The improved machine for making sheet-metal seamed and grooved piping comprising, in combination, an opening and closing grip for drawing pipe through seamers, substantially as described.

(Specification, 2s.; drawing, 4s.)

An asterisk (*) denotes the complete specification of an invention for which a provisional specification has been already lodged.

NOTE.—The cost of copying the specification and drawing has been inserted after the notice of each application. An order for a copy or copies should be accompanied by a post-office order or postal note for the cost of copying.

The date of acceptance of each application is given after the number.

Extracts from the drawings accompanying the foregoing complete specifications appear at the end of this *Gazette*.

J. C. LEWIS,
Registrar.

Provisional Specifications accepted.

Patent Office,
Wellington, 17th April, 1907.

A PPLICATIONS for Letters Patent, with provisional specifications, have been accepted as under:—

- No. 22102.—J. A. Yule, wrench for operating nuts of fishplate-bolts.
No. 22429.—A. J. Way, apparatus for producing hydro-carbon.
No. 22478.—J. W. Wood and C. J. Ward, means for shifting tramway-points.
No. 22487.—A. S. Hudson, pliers for marking ears of sheep.
No. 22515.—N. I. Gooder, trolley-arm head for electric trams.
No. 22519.—T. and J. Bowrey, weighing-machine for grading sheep.
No. 22522.—W. H. Macdougall, building for totalisator.
No. 22527.—A. T. Chodowski, cattle-pen and slaughtering-apparatus.
No. 22528.—W. R. Walker, knee-protector.
No. 22530.—A. Reid and J. McCluggage, apparatus for digging potatoes.
No. 22532.—H. N. Bell, soldering-machine.
No. 22541.—T. M. Copeland, spacer for type-setting.
No. 22542.—J. Sharpe, bottle-stopper.
No. 22545.—F. R. Beuhne, apparatus for rendering bees-wax.
No. 22549.—A. Falkner, suspension-bridge.
No. 22555.—W. H. Haslett and N. Marsdon, solution for producing anaesthesia.
No. 22570.—United Shoe Machinery Company, pounding-up machine. (C. E. Shattuck.)
No. 22571.—United Shoe Machinery Company, grooving-attachment for sewing-machine. (J. V. Allen.)
No. 22572.—S. W. Winslow, buffing and abrading machine. (A. W. Rogers.)
No. 22604.—W. Jamieson, rotary engine.
No. 22605.—G. E. Woodbury, ore-concentrating machine.

NOTE.—Provisional specifications cannot be inspected, or their contents made known by this office in any way, until the complete specifications in connection therewith have been accepted.

Letters Patent sealed.

LIST of Letters Patent sealed from the 4th to the 17th April, 1907, inclusive:—

- No. 19971.—J. Pomeroy, paper-file.
No. 20405.—E. G. Gresham and A. Gray, pneumatic kneering.
No. 20508.—R. A. Bradbury, sleeve of waterproof coat.
No. 20510.—R. R. Douglas, tumbler and shaft for dredge.
No. 20695.—W. C. Quinnell, milk-pail and stool.
No. 20819.—G. Ridgway, atmospheric filter.
No. 21038.—A. W. Burbury, means of securing strands of wire fence to standard.
No. 21163.—J. J. Gilday, pump.
No. 21666.—A. J. Hall, appliance for feeding brush with pigment.
No. 21765.—C. B. C. Storey and J. A. Wauchope, ore-crushing machine.
No. 21916.—H. Bostock and J. A. Peck, lock-nut. (H. J. Swain.)
No. 21960.—A. D. Sloane, advertising-device.
No. 22011.—A. H. Byron and D. J. Byron, steel framing for buildings.
No. 22074.—F. L. Davis, sash window.
No. 22174.—Gies Gear Company, reversing-gear. (F. G. Gies.)

Letters Patent on which Fees have been paid.

[NOTE.—The dates are those of the payments.]

SECOND-TERM FEES.

- No. 16100.—Cooley Development Company, rotary fluid engine. (J. F. Cooley.) 10th April, 1907.
No. 16193.—H. Bland, elastic-fluid compressor. 2nd April, 1907.
No. 16205.—A. V. Maniachi, stove for heating irons. 8th April, 1907.
No. 16509.—United Xpedite Finishing Company, heel-finishing machine. (C. Pease.) 10th April, 1907.
No. 16510.—United Xpedite Finishing Company, heel-finishing machine. (R. W. Thomson.) 10th April, 1907.

THIRD-TERM FEES.

- No. 12345.—W. F. Pellaw and W. McConchie, butter-churn. 28th January, 1907.
No. 12523.—Andrews and Beaven, Limited, chaff-cutter. (W. Andrews and A. W. Beaven.) 10th April, 1907.

Subsequent Proprietors, &c., of Letters Patent registered.

[NOTE.—The name of the patentee is given in brackets; the date is that of registration.]

NO. 16383.—Frederick Hall, of Gisborne, in the Colony of New Zealand, Painter and Plumber, registered as licensee of full leave and liberty, solely and exclusively, to make, exercise, and vend the invented article called the "improvements in skylights," for use within the present-constituted boundaries of Cook, Wairoa, and Waipapu, in the North Island of said colony, but not elsewhere, during the unexpired term of fourteen years for which the patent has been granted to the licensee, and for no longer. Skylight. [F. C. Griffiths.] 11th April, 1907.

No. 18548.—Notification of agreement entered on the Register between John Henry Brown and Robert James Dickie, of the one part, and Edward Charles Evelyn Mills, Peter Heyes, and William Joseph Napier, of the other part, with reference, *inter alia*, to the contribution by the said John Henry Brown of the whole of his interest in the New Zealand rights to the automatic stamp and ticket vending machine (referred to in the deed of assignment of the 16th March, 1907, between the parties to this agreement), it being the intention of the parties to this agreement that the said John Henry Brown shall have no further interest in the said New Zealand rights. Machine for vending postage-stamps, &c. [R. J. Dickie and J. H. Brown.] 3rd April, 1907.

No. 18548.—Edward Charles Evelyn Mills, Merchant, Peter Heyes, Commissioner of Taxes, both of Wellington, in the Colony of New Zealand, and William Joseph Napier, of Auckland, in the said colony, Barrister, registered as proprietors of all the remaining right, title, and interest of R. J. Dickie. Machine for vending postage-stamps. [R. J. Dickie and J. H. Brown.] 3rd April, 1907.

No. 20943.—The British and Colonial "Atom" Syndicate, Limited, of 29 Great St. Helens, in the City of London, England. Dust-suction apparatus. [H. and E. Mestitz—A. Hein.] 11th April, 1907.

Nos. 22081, 22082, 22083.—Vermont Farm Machine Company, of Bellows Falls, Vermont, in the United States of America, Manufacturers. Centrifugal separator. [G. G. Turri—P. L. Kimball.] 5th April, 1907.

Applications for Letters Patent abandoned.

LIST of applications, with which provisional specifications only have been filed, abandoned (*i.e.*, complete specifications not lodged) from the 4th to the 17th April, 1907, inclusive:—

- No. 21260.—J. Rae, steering ships.
 No. 21268.—D. Graham, slotting-machines, tools, and holders.
 No. 21269.—G. Dwyer and W. J. G. Pitt, claw hammer and staple-puller.
 No. 21271.—W. C. Green, confectionery-machine.
 No. 21272.—J. Lock, manufacture of brooms and brushes.
 No. 21274.—T. C. Hement, lead-headed nails.
 No. 21276.—P. Jensen, perambulator.
 No. 21277.—R. Z. Garrett, street-sweeper.
 No. 21281.—J. Brown, ploughing and cleaning machine.
 No. 21286.—W. Wenlock and W. B. Anderson, adjustable picture-hanger.
 No. 21291.—G. Warne, music-turner.
 No. 21292.—R. Whittaker and R. Tomline, drinking-fountain for poultry.
 No. 21295.—G. E. Dod, rotary engine.
 No. 21296.—W. E. Crook, railway-coupling.
 No. 21299.—J. H. McFarlane, portable derrick.
 No. 21300.—R. A. Bradbury, waterproof garment.
 No. 21301.—F. J. Mahoney, ventilating-system.
 No. 21304.—R. Watson, non-refillable bottle.
 No. 21305.—J. M. O'Neil and R. A. Marsh, trolley-wheel bearing.
 No. 21306.—C. L. K. H. Foot, electrically igniting gas.
 No. 21307.—M. W. Winter, skirt-holder.
 No. 21310.—J. S. Hawkes, milk-can.
 No. 21311.—D. Urquhart and C. Sloper, cutting, washing, and delivering lamb and sheep paunches.
 No. 21312.—D. Urquhart and C. Sloper, hydro-extractor.
 No. 21313.—J. A. Belk, rail-joint.
 No. 21314.—H. E. McDonald, means for attaching tags and labels to hemp.
 No. 21316.—A. Ridd, milking-machine.
 No. 21317.—A. Ridd, pneumatic teat-cup.
 No. 21322.—W. Harvey, strainer and aerator.

Applications for Letters Patent void.

APPLICATIONS for Letters Patent, with which complete specifications have been lodged, void owing to non-acceptance of such complete specifications, from the 4th to the 17th April, 1907, inclusive:—

- No. 20559.—H. E. McDonald, spanner.
 No. 20560.—H. E. McDonald, pipe-wrench.
 No. 20562.—H. E. McDonald, pipe-wrench.
 No. 20568.—J. D. Bywater, mowing-machine.

Applications for Letters Patent lapsed.

LIST of applications for Letters Patent lapsed, owing to Letters Patent not being sealed, from the 4th to the 17th April, 1907, inclusive:—

- No. 20026.—H. G. Cornwall, envelope and letter sheet.
 No. 20029.—R. C. Noedl, clothes-prop.
 No. 20153.—K. A. Olsen, scaffolding.
 No. 20176.—J. A. Head, brush and polishing-glove.
 No. 20194.—W. Kennedy, blight-preventing composition.
 No. 20202.—R. Wales, rope-grip.

Letters Patent void.

LIST of Letters Patent void through non-payment of renewal fees, and through expiry of term of fourteen years, from the 4th to the 17th April, 1907, inclusive:—

THROUGH NON-PAYMENT OF SECOND-TERM FEES.

- No. 15826.—D. W. Balch, electro-magnetic railway traction. (A. A. Honey.)
 No. 15830.—H. M. Sutton, W. L. Steele, E. G. Steele, and W. Folsetter, electrostatic magnetic separator.
 No. 15831.—J. Harris, wire fence.
 No. 15839.—J. T. Young and J. Wren, window-sash catch. (J. T. and C. M. Young.)
 No. 15840.—T. J. Britten, apparatus for settling dust, &c., in blasting and boring operations.
 No. 15842.—The Perfection Blind and Lock Stitch Sewing-machine Company, sewing-machine. (C. F. Filor.)
 No. 15843.—J. S. Brownell, concentrator.
 No. 15845.—M. Lumley and J. B. Bourseau, reducing-valve.
 No. 15848.—W. E. Reynolds, plough.
 No. 15851.—H. A. Seymour, steam-generator.
 No. 15852.—A. Purser, F. W. Jenkins, and C. R. M. Millar, sharpening rock-drilling tools.
 No. 15863.—H. Christensen, match-manufacture.
 No. 15865.—E. S. Baldwin and H. H. Rayward, sterilising milk. (S. M. Barré.)
 No. 15870.—B. Tully, barrel filter.
 No. 15871.—The General Cement Company, Limited, process for producing cement. (H. Passow.)
 No. 15873.—E. A. Holden, lubricator.
 No. 15881.—R. Dunne, mitre-box.
 No. 15882.—B. Crawford, exhaust-silencer.

THROUGH NON-PAYMENT OF THIRD-TERM FEES.

- No. 12276.—The Consolidated Pneumatic Tool Company, Limited, pneumatic drill. (H. J. Kimman.)
 No. 12280.—Universal Fuel Company, process of making coke. (J. Hemingway.)
 No. 12290.—The British Uralite Company, Limited, manufacture of fire-resisting materials. (A. Imschenetzky.)

THROUGH EXPIRY OF TERM.

- No. 6122.—Massey-Harris Company, Limited, cultivator. (L. M. Jones and J. Wedlake.)

Designs registered.

DESIGNS have been registered in the following name on the date noted:—

- Nos. 319 and 320.—John Patrick Wallace, of 35 James Street, Windsor, in the State of Victoria, Commonwealth of Australia, Manufacturer. Class 3. 10th April, 1907.

Applications for Registration of Trade Marks.

Patent Office,
Wellington, 17th April, 1907.

A PPLICATIONS for registration of the following Trade Marks have been received. Notice of opposition to the registration of any of these applications may be lodged at this office within two months of the date of this *Gazette*. Such notice must be in duplicate, and accompanied by a fee of £1.

No. of application: 5815.
Date: 3rd March, 1906.

TRADE MARK.



The essential particulars of this trade mark are the device and the words "Three Star"; and any right to the exclusive use of the added matter is disclaimed.

NAME.

WARNOCK BROS., of Durham Street, Auckland, in the Colony of New Zealand, Manufacturers.

No. of class: 47.

Description of goods: Household soaps, starch, candles, detergents, blue and other preparations for laundry purposes.

No. of application: 6147.
Date: 30th August, 1906.

TRADE MARK.



The essential particulars of this trade mark are the combination of devices and the word "Esperanto"; and any right to the exclusive use of the added matter is disclaimed.

NAME.

T. H. HALL AND Co., of Queen Street, Auckland, in the Colony of New Zealand, Merchants.

No. of class: 38.

Description of goods: Articles of clothing, such as hats of all kinds, caps and bonnets, hosiery, gloves, boots and shoes, other ready-made clothing.

No. of application: 6148.
Date: 30th August, 1906.

TRADE MARK.

(The mark as shown in preceding notice, No. 6147.)

The essential particulars of this trade mark are the combination of devices and the word "Esperanto"; and any right to the exclusive use of the added matter is disclaimed.

NAME.

T. H. HALL AND Co., of Queen Street, Auckland, in the Colony of New Zealand, Merchants.

No. of class: 42.

Description of goods: Substances used as food or as ingredients in food, such as cereals, pulses, olive-oil, hops, malt, dried fruits, tea, sago, salt, sugar, preserved meats, confectionery, oil-cake, pickles, vinegar, beer-clarifiers.

No. of application: 6149.
Date: 30th August, 1906.

TRADE MARK.

(The mark as shown in preceding notice No. 6147.)

The essential particulars of this trade mark are the combination of devices and the word "Esperanto"; and any right to the exclusive use of the added matter is disclaimed.

NAME.

T. H. HALL AND Co., of Queen Street, Auckland, in the Colony of New Zealand, Merchants.

No. of class: 47.

Description of goods: Candles, common soap, detergents; illuminating, heating, or lubricating oils; matches; and starch, blue, and other preparations for laundry purposes, such as washing-powders, benzine.

No. of application: 6150.
Date: 30th August, 1906.

TRADE MARK.

(The mark as shown in preceding notice No. 6147.)

The essential particulars of this trade mark are the combination of devices and the word "Esperanto"; and any right to the exclusive use of the added matter is disclaimed.

NAME.

T. H. HALL AND Co., of Queen Street, Auckland, in the Colony of New Zealand, Merchants.

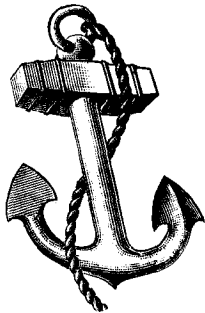
No. of class: 50.

Description of goods: Miscellaneous, including (1) goods manufactured from ivory, bone, or wood, not included in other classes; (2) goods manufactured from straw or grass, not included in other classes; (3) goods manufactured from animal or vegetable substances, not included in other classes; (4) tobacco-pipes; (5) umbrellas, walking-sticks, brushes, and combs; (6) furniture-cream, plate-powder; (7) tarpaulins, tents, rick-cloths, rope, and twine; (8) buttons of all kinds, other than of precious metal or imitations thereof; (9) packing and hose of all kinds; (10) goods not included in the foregoing classes, such as coopers' wares.

No. of application: 6341.

Date: 16th November, 1906.

TRADE MARK.



NAME.

MARTIN HALL AND CO., LIMITED, of Shrewsbury Works, Broad Street Park, Sheffield, England, Silversmiths and Electro-plate Manufacturers.

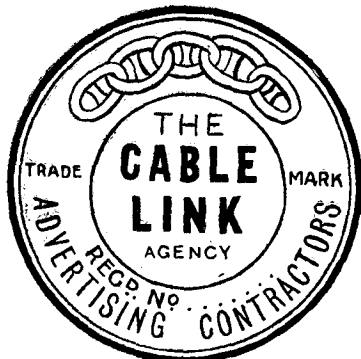
No. of class: 14.

Description of goods: Spoons and forks.

No. of application: 6529.

Date: 11th March, 1907.

TRADE MARK.



The essential particulars of this trade mark are the device and the words "Cable Link"; and any right to the exclusive use of the added matter is disclaimed.

NAME.

CABLE LINK AGENCY, of Auckland, in the Colony of New Zealand, Advertising Agents.

No. of class: 41.

Description of goods: Cabinet show-case.

No. of application: 6531.

Date: 13th March, 1907.

TRADE MARK.



The essential particulars of the trade mark are as follow—the distinctive label, the device of the spread eagle, and the

name "F. L. Cailler's" printed in the particular and distinctive manner shown; and any right to the exclusive use of the added matter is disclaimed.

NAME.

F. L. CAILLER, LIMITED, of Broc, in Switzerland, Chocolate-manufacturers.

No. of class: 42.

Description of goods: Chocolate.

No. of application: 6532.

Date: 13th March, 1907.

TRADE MARK.



The essential particulars of the trade mark are as follow—the distinctive label, the combination of devices, and the name "Cailler's" printed in the particular and distinctive manner shown; and any right to the exclusive use of the added matter is disclaimed.

NAME.

F. L. CAILLER, LIMITED, of Broc, in Switzerland, Chocolate-manufacturers.

No. of class: 42.

Description of goods: Chocolate.

No. of application: 6550.

Date: 27th March, 1907.

TRADE MARK.



The essential particulars of this trade mark are two Indian coolies carrying a box of tea, with a diamond enclosing letters W.G. over D.; and applicants disclaim any right to the exclusive use of the words "Colombo Tea Co." as a trade mark.

NAME.

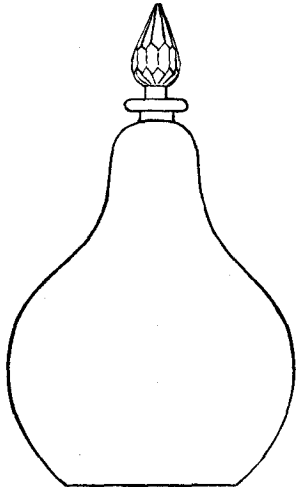
WALTER ARCHIBALD GRIEVE, trading as "The Colombo Tea Company," of 125 Princes Street, Dunedin, in the Colony of New Zealand.

No. of class: 42.

Description of goods: Tea.

No. of application : 6551.
Date : 28th March, 1907.

TRADE MARK.



HEALATTA

NAME.

LEVER BROS., LIMITED, of Balmain, near Sydney, State of New South Wales, Commonwealth of Australia, Manufacturers.

No. of class : 3.

Description of goods : Medicated soap for human use, pomade for medical purposes, and all other like goods included in Class 3.

No. of application : 6553.
Date : 28th March, 1907.

TRADE MARK.

The word

"HYGEIA."

NAME.

LEVER BROS., LIMITED, of Balmain, near Sydney, State of New South Wales, Commonwealth of Australia, Manufacturers.

No. of class : 3.

Description of goods : Medicated soap for human use, pomade for medical purposes, and all other like goods included in Class 3.

No. of application : 6554.
Date : 28th March, 1907.

TRADE MARK.



The essential particular of the trade mark is the device ; and any right to the exclusive use of the added matter is disclaimed.

NAME.

GEORGE ROBERT WILSON, of 74A Manchester Street, Christchurch, New Zealand, Importer.

No. of class : 38.

Description of goods : All articles included in this class.

NOTE.—Class 38 is for "Articles of clothing, such as hats of all kinds, caps and bonnets, hosiery, gloves, boots and shoes, and other ready-made clothing."

No. of application : 6557.
Date : 5th April, 1907.

TRADE MARK.

GALENA

The applicants claim that the said trade mark has been in use by them in respect of the articles mentioned from December, 1870.

NAME.

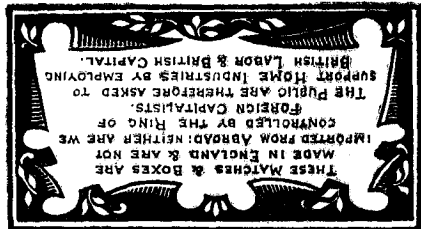
GALENA-SIGNAL OIL COMPANY, a corporation organized under the laws of the State of Pennsylvania, United States of America, having its principal office in Franklin, in that State, Oil Manufacturers and Vendors.

No. of class : 47.

Description of goods : Lubricating-oils.

No. of application : 6561.
Date : 10th April, 1907.

TRADE MARK.



The essential particulars of the trade mark are the word "Emu," the words "Riding to Win," and the combination of devices; and applicants disclaim any right to the exclusive use of the added matter, except in so far as it consists of their name and address.

NAME.

GEO. M. JUDD AND BROS., LIMITED, of Phoenix Works, Lamprell Street, Old Ford, London, England, Match-manufacturers.

No. of class : 47.

Description of goods : Matches.

No. of application: 6565.

Date: 11th April, 1907.

TRADE MARK.



The applicants claim that the said trade mark has been used by them in respect of the article mentioned for upwards of five years before the 2nd day of September, 1889.

NAME.

GREENLEES BROS., of 27-31 Commercial Street, London, England, and of Glasgow and Argyllshire, Scotland, Scotch-whisky Merchants.

No. of class: 43.

Description of goods: Whisky.

No. of application: 6566.

Date: 11th April, 1907.

TRADE MARK.

The word

“SANADERMA.”

NAME.

P. HAYMAN AND Co., of Victoria Street, Wellington, in the Colony of New Zealand.

No. of class: 3.

Description of goods: Medicated articles, including medicinal soap and patent medicines.

No. of application: 6567.

Date: 11th April, 1907.

TRADE MARK.

The word

“SANADERMA.”

NAME.

P. HAYMAN AND Co., of Victoria Street, Wellington, in the Colony of New Zealand.

No. of class: 48.

Description of goods: Toilet soaps and perfumery.

J. C. LEWIS,
Registrar.

Trade Marks registered.

LIST of Trade Marks registered from the 4th to the 17th April, 1907, inclusive:—

- No. 5023/6377.—J. and J. Baldwin and Partners, Limited. Class 33. (*Gazette* No. 3, of the 10th January, 1907.)
 No. 5024/5795.—H. Markwald. Class 4. (*Gazette* No. 19, of the 8th March, 1906.)
 No. 5025/5796.—H. Markwald. Class 42. (*Gazette* No. 19, of the 8th March, 1906.)
 No. 5026/5768.—A. E. Sykes. Class 2. (*Gazette* No. 15, of the 22nd February, 1906.)
 No. 5027/5480.—C. Machen and Hudson. Class 43. (*Gazette* No. 7, of the 24th January, 1907.)
 No. 5028/6396.—J. S. Fry and Sons, Limited. Class 42. (*Gazette* No. 7, of the 24th January, 1907.)
 No. 5029/6397.—J. S. Fry and Sons, Limited. Class 42. (*Gazette* No. 7, of the 24th January, 1907.)
 No. 5030/6416.—Wheeler and Wilson Manufacturing Company. Class 6. (*Gazette* No. 7, of the 24th January, 1907.)
 No. 5031/6417.—Wheeler and Wilson Manufacturing Company. Class 6. (*Gazette* No. 7, of the 24th January, 1907.)
 No. 5032/6427.—H. A. Ladbroke. Class 22. (*Gazette* No. 7, of the 24th January, 1907.)
 No. 5033/6447.—R. S. Tonkinson and Co. Class 6. (*Gazette* No. 13, of the 7th February, 1907.)
 No. 5034/6325.—Burmeister and Wain Aktieselskabet. Class 13. (*Gazette* No. 105, of the 13th December, 1906.)

Trade Mark Renewal Fees paid.

FEES paid for the renewal of the under-mentioned Trade Marks for fourteen years from the date first mentioned:—

- Nos. 736/571 and 737/572.—15th March, 1907.—Tupper and Co., Limited, of Bilston, England. 11th April, 1907.
 Nos. 748/604 and 749/603.—4th April, 1907.—N. King, of New Plymouth, New Zealand. 3rd April, 1907.
 No. 793/676.—22nd May, 1907.—G. L. Sise, of Dunedin, New Zealand. 12th April, 1907.
 No. 797/623.—19th May, 1907.—G. T. Fulford, of New York, U.S.A., &c. 10th April, 1907.
 No. 805/613.—1st June, 1907.—J. H. Harris and T. W. Jones, of Auckland, N.Z. 13th April, 1907.
 No. 842/681.—5th July, 1907.—Adams, Curties, and Co., of Christchurch, New Zealand. 12th April, 1907.

Trade Marks removed from the Register.

TRADE Marks removed from the Register owing to the non-payment of the renewal fees from the 4th to the 17th April, 1907, inclusive:—

- No. 676/820.—5th January, 1893.—Cummins, Sharpe, and Co., of Wanganui, New Zealand. Class 42.
 No. 680/545.—11th January, 1893.—Chrystall and Co., of Christchurch, New Zealand. Class 42.
 No. 681/582.—4th January, 1893.—Joll Bros., of Waitara, New Zealand. Class 42.
 No. 685/720.—16th January, 1893.—Dix and Co., of Auckland, New Zealand. Class 42.
 No. 686/546.—16th January, 1893.—Tothill, Watson, and Co., of Invercargill, New Zealand. Class 42.

Subsequent Proprietors of Trade Marks registered.

[NOTE.—The name of the former proprietor is given in brackets; the date is that of registration.]

NO. 124/85.—McDowell and Company, Limited, of Madras, India, and also of Basinghall Street, London, England, Cigar-manufacturers. [McDowell and Co.] 9th April, 1907.

No. 3565/2802.—Machen and Company, Limited, of 75 to 83 Norfolk Street, Liverpool, in the County of Lancaster, England, Export Bottlers and Commission Merchants. [T. B. Hall and Co., Limited.] 3rd April, 1907.

Nos. 5094/4004, 5095/4005, 5115/4017, 5116/4018, 5117/4019, and 5957/4690.—R. Wilson and Co., Limited, of Dunedin, in the Colony of New Zealand. [R. Wilson and Co.] 9th April, 1907.

Alphabetical List of Applicants for Letters Patent for Quarter ending 31st March, 1907.

THIS list includes also (1) applications lodged prior to but gazetted during the quarter, (2) complete specifications following provisional specifications accepted and gazetted during the quarter. Where the number and date of the Gazette are omitted, the application has not yet been accepted.

* Denotes a provisional specification.

† Denotes a prior date under section 106 of "The Patents, Designs, and Trade Marks Act, 1889."

Name, Address, and Invention.	Application.		Gazette.	
	No.	Date.	No.	Date.
Abraham, V. T. J., Wellington, N.Z. Preparing extract of meat ..	22445	20 Feb.
Ackland, E. W., Dunedin, N.Z. Conduit for electric cable ..	21808	18 Sept., 1906	18	21 Feb.
Adams, A. A., and others, London, Eng. Dasher for churn ..	21820	25 Sept., 1905†	13	7 Feb.
Adams, H. A., Linton, Vic. Document-file and assembling means ..	22599	26 March
Adams, W. E., Sydney, N.S.W. Construction of walls ..	22365	29 Jan. ..	18	21 Feb.
Adams, W. E., Sydney, N.S.W. Construction of walls ..	22481	28 Feb. ..	33	4 April.
Aderoft, A., Wellington, N.Z. Gas-burner ..	21615	10 Aug., 1906	13	7 Feb.
Aivaz, J., St. Petersburg, Russia. Dividing-table for punching-press. (J. Aivaz and T. Poljakoff-Kowtnmoff)	22354	24 Jan.
Aktiebolaget Separator, Stockholm, Sweden. Milking-machine. (B. and F. Ljungstrom)	22514	6 March
Albrecht, C. A., and another, Berlin, Germany. (See W. E. Hughes, No. 22178.)				
Allen, J. V., South Weymouth, U.S.A. (See United Shoe Machinery Company, No. 22571.)				
Amesbury, D. E., Rongotea, N.Z. Spiral wire-plug for tobacco-pipes	22449	20 Feb. ..	23	7 March.*
Anderson, L., New York, U.S.A. Hydrocarbon-engine ..	22215	18 Dec., 1906	27	21 March.
Anderson, R. V., and another, Wellington, N.Z. Reinforced-concrete structures	22556	19 March
Andin, A. G., Glenferrie, Vic. Milking-machine ..	22609	28 March
Arthur, F. J., N. Mooroopna, Vic. Tire-inflation device ..	22321	17 Jan. ..	13	7 Feb.*
Arthur, J., Kalgoorlie, W.A. (See A. E. Thomas, No. 20853.)				
Ashcroft, A., and another, Auckland, N.Z. Electrically distilling and purifying gum	22359	23 Jan. ..	18	21 Feb.*
Auckram, W. T. J., Otahuhu, N.Z. Sewing-machine ..	22417	12 Feb. ..	33	4 April.*
Audiffren, M., and others, Golbey, France. Rotary refrigerating-machine	22508	3 March, 1906†
Avey, C. H., Los Angeles, U.S.A. (See A. Schwartz, No. 22405.)				
Babcock and Wilcox, Limited, London, Eng. Chain-grate stoker. (A. E. Parker)	22298	7 Jan. ..	13	7 Feb.
Bailey, F., and another, London, Eng. Clutching-device for communicating rotary motion	22313	15 Jan.
Baker, E. B., Melbourne, Vic. Treating substances under pressure ..	22186	12 Dec., 1906	7	24 Jan.
Baldwin, E. S., and another, Wellington, N.Z. Lock nut. (W. Hubbard)	22285	9 Jan. ..	13	7 Feb.
Baldwin, W., Sydney, N.S.W. Roofing joint and fastening ..	21716	29 Aug., 1906	13	7 Feb.
Ballantine, J. B., and another, Twickenham, Eng. (See J. T. Hunter, No. 22262.)				
Barger, W. G., Melbourne, Vic. Disc plough ..	22465	26 Feb. ..	36	18 April.
Barnes, J., and another, Sydney, N.S.W. Screw propeller ..	22312	15 Jan. ..	18	21 Feb.
Baronio, A. C., London, Eng. Electric telegraphy. (A. Muirhead) ..	22504	4 March ..	36	18 April.
Barton, F. W., Dunedin, N.Z. Cellar-lift for casks, &c. ..	22607	25 March
Barton-Wright, E. W., and another, London, Eng. Treatment of wood	22171	7 Dec., 1906	7	24 Jan.
Bates, A., and another, Leicester, Eng. (See United Shoe Machinery Company, Nos. 21072, 21073, and 22488.)				
Bates, E., Auckland, N.Z. Cow-spaying instrument ..	22499	1 March
Beaton, A., Barrington, N.S.W. Judging-machine for foot-runners ..	22466	26 Feb. ..	33	4 April.*
Becker, H. C., Christchurch, N.Z. Extracting fat and wool from hides	20849	14 March, 1906	7	24 Jan.
Belk, M., Palmerston North, N.Z. Carcase-brander ..	22272	14 March ..	27	21 March.*
Bell, H. B., and another, Mosman, N.S.W. Printing-block ..	22095	21 Nov., 1906	13	7 Feb.
Bell, H. N., Invercargill, N.Z. Soldering-machine ..	22532	4 March ..	36	18 April.*
Bell, S. E., Wangaratta, Vic. Milk-bucket ..	22534	13 March ..	36	18 April.
Bell, W., and another, Mosman, N.S.W. Printing-block ..	22095	21 Nov., 1906	13	7 Feb.
Berendsen, J. F. P., Wellington, N.Z. Extracting gold from sand and gravel	22269	4 Jan.
Bergin, A. J., Roselle, N.S.W. Motor-cycle belt ..	22450	2 July, 1906†
Berry, G. W., Moonee Ponds, Vic. Soldering ends of cans ..	22345	23 Jan. ..	13	7 Feb.*
Best, H. J., Fitzroy, Vic. Sole-sewing-machine attachment ..	22229	20 Dec., 1906	13	7 Feb.*
Bettany, C. E., Nelson, N.Z. Frying-pan cover ..	21866	3 Oct., 1906..	23	7 March
Beuhne, F. R., Toobarac, Vic. Rendering beeswax and cappings of honeycombs	22545	14 March ..	36	18 April.*
Bevenot, P., and another, Paris, France. Extracting solid particles from fluids	22432	13 Feb.
Bidwell, B., Chicago, U.S.A. Electric-motor cooler ..	22309	14 Jan. ..	13	7 Feb.
Blackham, W. H., Melbourne, Vic. Vacuum and pressure apparatus for milking cows. (W. J. Teese)	22535	13 March
Blackham, W. H., Melbourne, Vic. Apparatus for milking cows. (W. J. Teese)	22536	13 March
Blackman, S., Christchurch, N.Z. Plastering walls and ceilings ..	22106	23 Nov., 1906	7	24 Jan.*
Blanc. (See Le Blanc.)				
Bloxam, H. C. L., Cape Town, Cape Colony. (See Maganite Explosives Syndicate, Limited, No. 21334.)				

ALPHABETICAL LIST OF APPLICANTS FOR LETTERS PATENT—*continued.*

Name, Address, and Invention.	Application.		Gazette.	
	No.	Date.	No.	Date.
Bolton, A. J. J., Armadale, Vic. Composition for manufacture of butter-boxes, &c.	21230	30 May, 1906	18	21 Feb.
Bowater, J. H. J., Wanganui, N.Z. Castrating-tool	22440	18 Feb.
Bower, D., Dunedin, N.Z. Milk-strainer	20841	12 March, 1906	3	10 Jan.
Bowrey, J., and another, Sydney, N.S.W. Weighing-machine for grading sheep	22519	6 March ..	36	18 April.*
Bowrey, T., and another, Sydney, N.S.W. Weighing-machine for grading sheep, &c.	22519	6 March ..	36	18 April.*
Boys, F. T., Napier, N.Z. Apparatus for drying offal. (G. Nelson—G. L. D. James)	21183	23 May, 1906	23	7 March.
Boys, F. T., Napier, N.Z. Fencing-standard	22049	13 Nov., 1906	13	7 Feb.
Bradley, S. A., Merrigum, Vic. Fruit-case	22193	13 Dec., 1906	13	7 Feb.*
Bradley, S. A., Merrigum, Vic. Punnet	22194	13 Dec., 1906	13	7 Feb.*
Bradshaw, W. C., Christchurch, N.Z. Propelling steam-vessels ..	22320	17 Jan. ..	24	7 Jan.*
Bradshaw, W. C., Christchurch, N.Z. Plaster	22344	23 Jan. ..	13	7 Feb.*
Brandram, A. G., Southsea, Eng. Pipe-joint	22280	8 Jan. ..	13	7 Feb.
Brandt, E., Melbourne, Vic. Kerosene pump and cutter	22278	8 Jan.
Brennan, G., Petersham, N.S.W. Folding-bedstead	22063	15 Nov., 1906	13	7 Feb.
Bretherton, G. E., Makirikiri, N.Z. Plough	22460	21 Feb.
Briggs, T., and another, Leicester, Eng. (See United Shoe Machinery Company, No. 22488.)				
Bristow, C., Christchurch, N.Z. Seed-sower	21273	7 June, 1906	18	21 Feb.
Bristow, C., Christchurch, N.Z. Milking-machine	22253	27 Dec., 1906	7	24 Jan.*
British-American Tobacco Company, Limited, London, Eng. Mouth-piece-cigarette machine. (F. Malocsay)	22342	23 Jan. ..	27	21 March.
British Westinghouse Electric and Manufacturing Company, Limited, Westminster, Eng. Connection system for dynamo-electric machine. (B. G. Lamme)	22537	14 March ..	36	18 April.
British Westinghouse Electric and Manufacturing Company, Limited, Westminster, Eng. Connection system for alternating-current commutator-type motors. (B. G. Lamme)	22538	14 March ..	36	18 April.
British Westinghouse Electric and Manufacturing Company, Limited, Westminster, Eng. Connection system for dynamo-electric machine. (B. G. Lamme)	22539	14 March ..	36	18 April.
British Westinghouse Electric and Manufacturing Company, Limited, Westminster, Eng. Connection system for dynamo-electric machine. (B. G. Lamme)	22540	14 March ..	36	18 April.
Brock, T. B., Kapunda, South Australia. Filling bags with grain ..	22376	31 Jan. ..	18	21 Feb.*
Broderick, H. J., and another, Echuca, Vic. Brush	22371	31 Jan. ..	23	7 March.*
Brogden, C. J., and another, Masterton, N.Z. Divisional block for straw-baling press	22462	25 Feb. ..	33	4 April.*
Brown, R., Westminster, Eng. Switches for electric traction ..	22339	24 Jan., 1906†
Brown, R. S. C., Dunedin, N.Z. Trolley-pole	22406	8 Feb. ..	18	21 Feb.*
Buckingham, F. S., N. Carlton, Vic. Animal-trap	22348	23 Jan. ..	18	21 Feb.*
Bullock, C. C., Sydney, N.S.W. Capture of rabbits, &c.	22353	24 Jan. ..	18	21 Feb.
Bunning, G. E., Dalveen, Queensland. Fence-dropper and wire-retainer. (C. Cromwell)	22476	28 Feb. ..	33	4 April.
Burbury, A. W., Woodbury, Tas. Securing fence-wire to standard ..	21038	26 April, 1906	3	10 Jan.
Burfoot, A., and another, Auckland, N.Z. Drain-pipe socket ..	22404	7 Feb. ..	27	21 Mar.*
Burfoot, J., and another, Auckland, N.Z. Drain-pipe socket ..	22404	7 Feb. ..	27	21 March.*
Burke, T. P., and another, Dunedin, N.Z. Egg-carrier	22271	5 Jan. ..	13	7 Feb.*
Burks, F., Manchester, Eng. Dumb-bell	21664	20 Aug., 1906	27	21 Mar.*
Burnip, W. T., Christchurch, N.Z. Preventing horses kicking when attached to vehicle	22524	8 March
Burroughs, R. E. G., New Liskeard, Canada. Pipe-cleaner	22401	6 Feb. ..	23	7 March.
Burrows, J., Auckland, N.Z. Hose-darner	22584	20 March
Butters, C., London, Eng. Slimes-filter	22249	27 Dec., 1906	13	7 Feb.
Byron, A. H., and another, Wellington, N.Z. Steel-framing for buildings	22011	5 Nov., 1906	7	24 Jan.
Byron, A. H., and another, Wellington, N.Z. Signal-lamp	22274	7 Jan. ..	18	21 Feb.*
Byron, A. H., and another, Wellington, N.Z. Pipe-joint	22291	9 Jan. ..	13	7 Feb.*
Byron, A. H., and another, Wellington, N.Z. Billiard-toy	22318	15 Jan. ..	13	7 Feb.*
Byron, A. H., and another, Wellington, N.Z. Calculating-protractor for scales for setting out drawings	22356	25 Jan. ..	18	21 Feb.*
Byron, A. H., and another, Wellington, N.Z. Shafting of steam-vessel	22357	25 Jan. ..	18	21 Feb.*
Byron, A. H., and another, Wellington, N.Z. Sewing-machine ..	22438	18 Feb. ..	33	4 April.*
Byron, A. H., and another, Wellington, N.Z. Vessel for heating purposes	22439	18 Feb.
Byron, A. H., and another, Wellington, N.Z. Brick	22608	28 March
Byron, D. J., and another, Wellington, N.Z. Steel-framing for buildings	22011	5 Nov., 1906	7	24 Jan.
Caldecott, W. A., Johannesburg, Transvaal. Separating liquids from crushed-ore products	22513	6 March ..	33	4 April.*
Cambridge, C. F. A., and others, Greymouth, N.Z. Band-music stand	21004	17 April, 1906	33	4 April.
Campbell, A. F., Timaru, N.Z. Wearing-strip for threshing-machine concave	20804	5 March, 1906	27	21 March.
Campbell, A. M., Hobart, Tas. (See A. F. Golding and E. Campbell, No. 22105.)				
Campbell, E., and another, Hobart, Tas. Variable-speed pulley. (A. M. Campbell)	22105	24 Nov., 1906	13	7 Feb.*
Cannell, C., St. Mary's, Tas. Cutting and searing lambs' tails ..	20763	20 Feb., 1906	23	7 March.
Carlson, O. K., Clydevale, N.Z. Water-tap	20900	23 March, 1906	27	21 March.

ALPHABETICAL LIST OF APPLICANTS FOR LETTERS PATENT—continued.

Name, Address, and Invention.	Application.		Gazette.	
	No.	Date.	No.	Date.
Carnt, E. C., and others, East Cowes, Isle of Wight. Marine turbine	22150	24 March, 1906†	7	24 Jan.
Carpenter, A. W., London, Eng. Elastic-tire	22446	20 Feb.	33	4 April.
Carson, A. A., Palmerston North, N.Z. Water-heater	22230	26 Dec., 1906	7	24 Jan.*
Carter, R. H., Kimbolton, N.Z. Horse-collar	20772	24 Feb., 1906	23	7 March.
Chamberlain, W. E., and another, Feilding, N.Z. Tire-furnace	22276	7 Jan.	13	7 Feb.*
Checkogram, Limited, London, Eng. Checking and registering issue of tickets. (J. J. Stockall, jun.)	22455	21 Feb.
Checkogram, Limited, London, Eng. Delivering and registering tickets, checks, &c. (J. J. Stockall, jun.)	22456	21 Feb.	36	18 April.
Checkogram, Limited, London, Eng. Counting and registering device for turnstile. (S. C. Lee and N. A. Morkill)	22470	28 Feb.	33	4 April.*
Chemical Industrial Syndicate, Limited, The, London, Eng. Manufacture of matches and igniting-surface therefor. (L. Stange)	22341	23 Jan.	18	21 Feb.
Chew, L., Surrey, Eng. (See H. J. West and Co., Limited, No. 22343.)				
Chodowski, A. T., Dunedin, N.Z. Pen and apparatus for slaughtering cattle	22527	6 March	36	18 April.*
Christie, T. R., Dunedin, N.Z. Skylight	22212	14 Dec., 1906	7	24 Jan.
Christie, T. R., Dunedin, N.Z. Yard-gully and level inlet for drainage purposes	22390	2 Feb.
Christie, T. R., Dunedin, N.Z. Skylight	22593	22 March
Churches, G. E., Te Awamutu, N.Z. Flexible-tube cleaner	21146	15 May, 1906	27	21 March.
Cloud, J. W., London, Eng. Railway-brake apparatus	21769	26 March, 1906†	3	10 Jan.
Clark, R. O., Hobsonville, N.Z. Glazed-earthenware blocks	22242	22 Dec., 1906	23	7 March.
Clark, R. O., Hobsonville, N.Z. Drain-grate fastening	22245	22 Dec., 1906	7	24 Jan.
Clark, R. O., Hobsonville, N.Z. Yard-sink	22243	22 Dec., 1906	7	24 Jan.
Clark, R. O., Hobsonville, N.Z. Earthenware pipes	22509	5 March
Clifford, H. M., and others, London, Eng. (See Cork Asphalt, Limited, No. 22119.)				
Coleman, T., and another, Derby, Eng. Distributing liquids on roads	22338	23 Jan.	23	7 March.
Conings, W. R., Surrey, Eng. Box-making machine	22363	28 Jan.
Cook, F. H., and others, Dandenong, Vic. Rotary engine	22403	6 Feb.
Cook, J., and another, Port Chalmers, N.Z. Stone-shoot for dredge	20735	13 Feb., 1906	3	10 Jan.
Cooper, C., Mangatoki, N.Z. Sheep-weighting scales	22182	12 Dec., 1906	7	24 Jan.
Cooper, F., Christchurch, N.Z. Road-watering method	22294	8 Jan.	18	21 Feb.*
Copeland, H. M., and another, Palmerston North, N.Z. Telephony	22586	23 March
Copeland, H. M., and another, Palmerston North, N.Z. Telephony	22587	23 March
Copeland, J., and another, Palmerston North, N.Z. Telephony	22586	23 March
Copeland, J., and another, Palmerston North, N.Z. Telephony	22587	23 March
Copeland, T. M., Auckland, N.Z. Expandable spacer for type-setting	22541	11 March	36	18 April.*
Coppell, E. T., Kataia, N.Z. Lathe-chuck	22596	23 March
Coppell, E. T., Kataia, N.Z. Mechanism attached to lathes to replace callipers	22597	23 March
Corbett, F. J., South Yarra, Vic. (See E. G. Mills, No. 21231.)				
Corbett, F. J., South Yarra, Vic. (See H. Corbett, No. 22323.)				
Corbett, F. J., South Yarra, Vic. (See H. Corbett, No. 22369.)				
Corbett, H., South Yarra, Vic. Food and tonic, applicable also as a substitute for hops. (F. J. Corbett)	22323	17 Jan.	23	7 March.*
Corbett, H., South Yarra, Vic. Syphon. (F. J. Corbett)	22369	30 Jan.	23	7 March.*
Cork Asphalt, Limited, London, Eng. Manufacture of building-blocks, &c. (C. M. C. Hughes, T. H. Quinlan, and H. M. Clifford)	22119	27 Nov., 1906	7	24 Jan.
Corrigan, S. B., Manaia, N.Z. Solution for potato-blight	20617	23 Jan. 1906..	13	7 Feb.
Cotton, F., Hornsby, N.S.W. Removing sulphur, &c., from ores	21876	4 Oct., 1906..	23	7 March.
Cotton, F., Hornsby, N.S.W. Treating iron ores	22614	28 March
Coulthard, T. W., Mangapai, N.Z. Fencing-dropper	22306	12 Jan.
Cowell, A., and another, Blackall, Queensland. Fencing-dropper and wire-fastener	22282	9 Jan.	13	7 Feb.*
Craddock, F. F., and another, Middlesex, Eng. Machine for brushing the human spine and back	22483	28 Feb.	33	4 April.
Craigie, J. M., Dunedin, N.Z. Boot	21878	3 Oct., 1906	18	21 Feb.*
Craigie, J. M., and another, Dunedin, N.Z. Boot	22548	12 March	27	21 March.
Craigie, W. J. M., and another, Dunedin, N.Z. Boot	22548	12 March	27	21 March.
Crichton, A., and another, Dunedin, N.Z. Adjustable chair	22613	28 March
Crimp, H. M., Strzlecki, Vic. Egg-beater	20850	14 March, 1906	3	10 Jan.
Cromwell, C., Longreach, Queensland. (See G. E. Bunning, No. 22476.)				
Cropley, W. F., Sydney, N.S.W. Boot or shoe	22352	24 Jan
Crosthwaite, W. G., Leeds, Eng. Fire-bar for furnace	22474	28 Feb.
Crowle, H. B., and another, St. Kilda, Vic. Target	22266	3 Jan.	13	7 Feb.
Cruickshank, C. M., Timaru, N.Z. Earth-closet	21945	16 Oct.	13	7 Feb.*
Cunning, W., Malvern, Vic. (See T. Whittle and G. G. Turri, No. 22283.)				
Cunningham, D. Y., and another, Timaru, N.Z. Weatherboard-joint	22362	28 Jan.
Dall, W., Dunedin, N.Z. Bias-adjustment for bowls	21689	23 Aug., 1906	7	24 Jan.
Dalton, J. W., Sandwich, U.S.A. Breeches buoys	22335	23 Jan.	18	21 Feb.
Daniel, E. R. B., Masterton, N.Z. Guard for circular saw	22407	8 Feb.	23	7 March.*
Daniels, H., Brisbane, Queensland. Potato digger and grader	21127	8 May, 1906..	23	7 March.
Daniels, H., Brisbane, Queensland. Potato planter and hiller	22494	27 Feb.	33	4 April.*
Darnell, J., Brisbane, Queensland. Rubber attachment to heels	22248	27 Dec., 1906	18	21 Feb.
Davey, A. J., Westminster, Eng. Military equipments	22479	18 Dec., 1906†	33	4 April.
Davis, C. W., and others, Montreal, Canada. (See the Imperial Writing Machine Company, Limited, No. 22518.)				

ALPHABETICAL LIST OF APPLICANTS FOR LETTERS PATENT - *continued.*

Name, Address, and Invention.	Application.		Gazette.	
	No.	Date.	No.	Date.
Davis, G. W., and others, Montreal, Canada. (See the Imperial Writing Machine Company, Limited, No. 22518.)				
Dawson, B. F. H., Johannesburg, Transvaal. Candle-protector ..	22326	17 Jan. ..	13	7 Feb.*
Debenham, A. J., and others, Hokitika, N.Z. Band-music stand ..	21004	17 April, 1906	33	4 April.
Deister, E., Fort Wayne, U.S.A. Ore-concentrator ..	21175	21 May, 1906	3	10 Jan.
De Lautour, F., Auckland, N.Z. Marine propulsion ..	22441	15 Feb.
Delehanty, J., Kensington Park, South Australia. Rotary engine ..	20852	14 March, 1906	3	10 Jan.
De Neveu, E., and another, Asnieres, France. Extracting solid particles from fluids	22432	13 Feb.
Desy, L. A., Montreal, Canada. (See J. W. Harris, No. 20949.)				
De Witt, G. C., Melbourne, Vic. Production of pigment from sulphide ores	22315	15 Jan. ..	18	21 Feb.*
Dibdin, W. J., and another, London, Eng. Illuminating and heating gas	22366	29 Jan.
Dickie, D., and another, Balfour, N.Z. Skim-coulter of plough ..	22308	11 Jan. ..	23	7 March.*
Dietz, A. R., and others, Albert Park, Vic. Rotary engine ..	22403	6 Feb. ..	27	21 March.
Dixon, A., San Francisco, U.S.A. (See E. N. Waters, No. 22564.)				
Dixon, W. J. P., and another, Rock and Pillar, N.Z. Wire-strainer	22430	14 Feb. ..	33	4 April.*
Dörwald, G. L. M., London, Eng. Carburetter ..	21194	31 May, 1905†	7	24 Jan.
Douglas, R. R., Dunedin, N.Z. Machinery-roller ..	22621	28 March
Downing, H. W., Christchurch, N.Z. Stirrup ..	22502	4 March ..	36	18 April.
Downs, H., and another, Gisborne, N.Z. Railway fish-plate ..	22024	7 Nov., 1906	18	21 Feb.*
Dugins, W. F., and another, Kew, Vic. Automatically delivering food to horses	22422	13 Feb. ..	33	4 April.*
Eddy, J., Dunedin, N.Z. Wire cheese-cutter ..	22204	11 Dec., 1906	7	24 Jan.
Edison Ore Milling Syndicate, Limited, The, London, Eng. (See J. T. Hunter, No. 22262.)				
Edwards, H. J., Dunedin, N.Z. Revolving-grate. (J. F. G. Edwards)	22360	24 Jan.
Edwards, J. F. G., Melbourne, Vic. (See H. J. Edwards, No. 22360.)				
Electric Safety Appliances Company, Limited, and another, London, Eng. Preventing leakage of electricity	22252	27 Dec., 1906	13	7 Feb.
Emery, S. J., Windsor, Vic. Collar and harness ..	21669	21 Aug., 1906	27	21 March.
Eppler, A., Allston, U.S.A. (See United Shoe Machinery Company, No. 22489.)				
Evans, G. S., Corryong, Vic. Link-lock hook ..	22425	14 Feb. ..	33	4 April.*
Evans, G. S., Corryong, Vic. Safety-clip-hook appliance ..	22426	14 Feb. ..	33	4 April.*
Evans, W., and another, Timaru, N.Z. Weatherboard-joint	22362	28 Jan.
Evelyn, E. S., New Town, Tas. Receptacle-closure ..	21156	16 May, 1906	18	21 Feb.
Fair, W. F., and others, London, Eng. Dasher for churn ..	21820	25 Sept., 1905†	13	7 Feb.
Falkner, A., Kaiparoro, N.Z. Suspension-bridge construction ..	22549	15 March ..	36	18 April.*
Farquhar, G., and another, London, Eng. Hermetically sealing tins ..	22028	7 Nov., 1906	7	24 Jan.
Featou, E. H., Gisborne, N.Z. Vehicle-brake ..	22331	19 Jan. ..	27	21 March.*
Ferguson, J. A., Denver, U.S.A. Moulding-machine for building-blocks. (G. P. White)	21207	1 June, 1906	3	10 Jan.
Firth, E. T. C., Auckland, N.Z. Mixing and disintegrating machine ..	21064	28 April, 1906	23	7 March.
Fonts, G. S., San Jose, U.S.A. (See E. N. Waters, No. 22564.)				
Ford, A. S., Coromandel, N.Z. Forcing liquids from containers ..	20743	15 Feb., 1906	3	10 Jan.
Forster, A., and others, East Cowes, Isle of Wight. Marine turbine	22150	24 March, 1906†	7	24 Jan.
Francis, A. S., London, Eng. Gas-lamp for inverted incandescent burner	22337	23 Jan. ..	18	21 Feb.
Frankland, F. H., Wellington, N.Z. Gas-burner ..	22270	5 Jan. ..	27	21 March.*
Fraser Wheel Syndicate, Limited, The Malcolm. (See Malcolm Fraser Wheel Syndicate, Limited, No. 22261.)				
Fricker, W., South Woodford, Eng. Paper-bag-making machine ..	22180	10 Dec., 1906	7	24 Jan.
Fry, M., Port Awanui, N.Z. Sheep-race ..	22196	13 Dec., 1906	7	24 Jan.
Galbally, J. O., Wellington, N.Z. Weatherboarding ..	22234	21 Dec., 1906	7	24 Jan.*
Gaminara, E., and another, London, Eng. Castor ..	21007	18 April, 1906	3	10 Jan.
Gard, F. E., and others, Paddington, N.S.W. Mail-bag fastener ..	22447	21 Feb. ..	36	18 April.
Gardiner, R. C., Johnsonville, N.Z. Incandescent petrol-gas burner	22477	28 Feb.
Gascard, J., and another, Ballan, Vic. Grading and cleaning potatoes, &c.	22349	23 Jan. ..	13	7 Feb.*
Gazzard, H. O., Gympie, Queensland. Flooring and ceiling cramp ..	20776	23 Feb., 1906	13	7 Feb.
George, W., Invercargill, N.Z. Milking-pail ..	22340	23 Jan. ..	18	21 Feb.
Gere, W. B., and others, Syracuse, U.S.A. (See Merrell-Soule Company, No. 21794.)				
Gibbins, G., Footscray, Vic. Plough ..	22375	31 Jan. ..	23	7 March.
Gies, F. G., Detroit, U.S.A. (See Gies Gear Company, No. 22174.)				
Gies Gear Company, Detroit, U.S.A. Reversing-gear. (F. G. Gies) ..	22174	10 Dec., 1906	7	24 Jan.
Gifford, F. W., and another, Kansas, U.S.A. Apparatus for producing the illusion of travelling in a railroad-car	22493	25 Feb.
Gifford, W. C., and another, Kansas, U.S.A. Apparatus for producing the illusion of travelling in a railroad-car	22493	25 Feb.
Gilday, J. J., Berringa, Vic. Pump ..	21163	17 May, 1906	7	24 Jan.
Gilfedder, T. J., Athol, N.Z. Speed-indicator ..	22463	25 Feb. ..	33	4 April.*
Gill, E. R., New York, U.S.A. (See International Telegraphic Call Company, No. 21008.)				
Gillies, A., Heidelberg, Vic. Teat-cup ..	22473	28 Feb. ..	33	4 April.*
Gillies, W. S., Christchurch, N.Z. Tramway-points ..	20793	1 March, 1906	7	24 Jan.
Gilling, H. W., Matapu, N.Z. Milking-machine ..	22560	19 March
Gillingham, K., Dunedin, N.Z. Oven of cooking-range ..	22590	20 March

ALPHABETICAL LIST OF APPLICANTS FOR LETTERS PATENT—continued.

Name, Address, and Invention.	Application.		Gazette.	
	No.	Date.	No.	Date.
Godsal, P. T., Flintshire, Eng. Breech-loading small arms ..	22484	28 Feb.
Golding, A. F., and another, Hobart, Tas. Variable-speed pulley. (A. M. Campbell)	22105	24 Nov., 1906	13	7 Feb.*
Gooder, N. I., Wellington, N.Z. Trolley-arm head ..	22515	6 March ..	36	18 April.*
Goodyear, N., New York, U.S.A. Acetylene-generator ..	22525	5 March ..	36	18 April.
Gordon, J., Christchurch, N.Z. Shield-attachment for tires..	22543	14 March
Gover, W. R., Burwood, N.S.W. Spinal corselet ..	22393	2 Feb.
Graham, J., Gisborne, N.Z. Increasing speed of grindstone ..	22381	30 Jan. ..	18	21 Feb.*
Gray, A., and another, Wellington, N.Z. Pocket of wearing-apparel ..	22410	9 Feb.
Griffiths, H. S., Wai-iti, N.Z. Axe-head ..	22268	3 Jan. ..	27	21 March.*
Hadaway, J. B., Brockton, U.S.A. (See United Shoe Machinery Company, No. 22288.)				
Haggarty, H., jun., and another, Kew, Vic. Automatically delivering food to horses	22422	13 Feb. ..	33	4 April.*
Hall, A. J., Thornleigh, N.S.W. Feeding brushes with pigment ..	21666	18 Aug., 1906	3	10 Jan.
Hall, A. J., Thornleigh, N.S.W. Scarifier ..	22424	11 Feb.
Hall, E. J., Palmerston North, N.Z. (See C. Jansen, No. 22557.)				
Hamilton, J., Winton, N.Z. Sliding sheep-fence ..	21088	28 April, 1906	33	4 April.
Hankinson, A., Sydney, N.S.W. Reinforcing concrete-floors ..	22576	21 March
Hanslow, J., Cambridge, Tas. Wire gripper and strainer ..	22246	27 Dec., 1906	13	7 Feb.
Harper, N. C. T., Durban, Natal. Manufacturing carbonate of soda	22117	27 Nov., 1906	23	7 March.
Harris, C. H., Wellington, N.Z. Telephone ..	22529	9 March
Harris, C., and another, Roxburgh, N.Z. Protecting fruit-trees from birds	20808	6 March, 1906	18	21 Feb.
Harris, J. W., Montreal Canada. Excavating-apparatus. (L. A. Desy)	20949	4 April, 1906	27	21 March.
Harvey, A. G., Waverley, N.Z. Bit for controlling horses ..	21003	17 April, 1906	27	21 March.
Haslett, W. H., and another, Auckland, N.Z. Anæsthetic ..	22555	14 March ..	36	18 April.*
Hawes, T., Wellington, N.Z. Indicator ..	22384	4 Feb. ..	18	21 Feb.*
Hellberg, F. W., Sydney, N.S.W. Hammock and tent ..	22394	4 Feb. ..	23	7 March.*
Henderson, J. R., and another, Fitzroy, Vic. Lifting-jack ..	22454	21 Feb. ..	33	4 April.*
Henry, J. E., Bundarra, N.S.W. Pneumatic tire ..	22400	6 Feb.
Hermann, C. W., and another, Windsor, Vic. Stamp-pad ..	21678	22 Aug., 1906	18	21 Feb.
Heskett, T. J., Brunswick, Vic. Extracting zinc from sulphide ..	22241	21 Dec., 1906..	13	7 Feb.*
Heys, W. E., and another, Bushey, Eng. Detergent ..	21515	16 Nov., 1905†	13	7 Feb.
Higgins, B. T., and another, Gisborne, N.Z. Scaffolding-bracket ..	22305	9 Jan. ..	18	21 Feb.*
Higgison, jun., J., Greytown, N.Z. Retaining in position teat-cup mouthpiece	22350	23 Jan. ..	13	7 Feb.*
Hill, A., Denver, U.S.A. (See the Kendrick and Hill Manufacturing Company, No. 22579.)				
Hines, J., and another, London, Eng. Distributing liquids on roads ..	22338	23 Jan. ..	23	7 March.
Holland, J. E., Kaiapoi, N.Z. Mowing-machine ..	22461	25 Feb. ..	33	4 April.*
Horner, J. P., Epsom, N.Z. Shaft-tug ..	22620	28 March
Houston, D., St. George, Queensland. Acetylene-generator ..	22227	20 Dec., 1906..	13	7 Feb.
Hubbard, A. R., London, Eng. (See the Malcolm Fraser Wheel Syndi- cate, Limited, No. 22261.)				
Hubbard, E. J., Wellington, N.Z. Method of advertising ..	22433	16 Feb.
Hubbard, W., Dulwich Hill, N.S.W. (See E. S. Baldwin and H. H. Rayward, No. 22285.)				
Hudson, A. S., Brisbane, Queensland. Pliers for ear-marking sheep ..	22487	28 Feb. ..	36	18 April.*
Hudson, H. A., Mauriceville, N.Z. Parlour-game ..	22397	6 Feb. ..	27	21 March.*
Huggins, A. G., and another, Riverlea, N.Z. Milk-weighing can ..	22247	27 Dec., 1906..	13	7 Feb.*
Hughes, C. M. C., and others, London, Eng. (See Cork Asphalt, Limited, No. 22119.)				
Hughes, J., Waitohi Flat, N.Z. Attaching chaffey-sput to threshing- mill	20798	1 March, 1906	13	7 Feb.
Hughes, W. E., Wellington, N.Z. Linotype-machine. (Linotype and Machinery, Limited—J. Mayer and C. A. Albrecht)	22178	10 Dec., 1906..	7	24 Jan.
Hughes, W. E., Wellington, N.Z. Wave-motor. (F. Starr) ..	22336	23 Jan. ..	18	21 Feb.
Hughes, W. E., Wellington, N.Z. Linotype-machine. (Linotype and Machinery, Limited—W. H. Scharf)	22486	28 Feb.
Hughes, W. E., Wellington, N.Z. Finishing and cooling curved stereo- types. (Printing Machinery Company, Limited—H. A. W. Wood)	22566	20 March
Hughes, W. E., Wellington, N.Z. Finishing, cooling, and drying curved stereotypes. (Printing Machinery Company, Limited—H. A. W. Wood)	22567	20 March
Humble, T. S., Geelong, Vic. Internal-combustion engine. (T. S. Humble and E. Schultz)	22251	27 Dec., 1906..	13	7 Feb.
Hunt, W. H., Melbourne, Vic. (See R. H. Lucas, No. 22264.)				
Hunter, J. T., Wellington, N.Z. Magnetic separator. (The Edison Ore Milling Syndicate, Limited—W. Simpkin and J. B. Ballantine)	22262	2 Jan. ..	13	7 Feb.
Hutchison, A. J., Auckland, N.Z. Household-purchases indicator ..	21634	15 Aug., 1906	23	7 March.*
Hutchinson, G., Christchurch, N.Z. Seed-sower ..	22562	20 March
Hutchinson, G., Wellington, N.Z. Fencing standard or dropper ..	22287	9 Jan. ..	13	7 Feb.*
Hutchinson, G., Wellington, N.Z. Seed-sower ..	22436	18 Feb. ..	33	4 April.*
Hutchinson, G. F., Kapuni, N.Z. Hydraulic vacuum pump ..	22408	8 Feb. ..	33	4 April.*
Hutchinson, G. F., Kapuni, N.Z. Acetylene-generator ..	20821	8 March, 1906	13	7 Feb.
Imperial Writing Machine Company, Limited, The, Montreal, Canada. Typewriter. (C. W. and G. W. Davis and W. P. Kidder)	22518	6 March ..	36	18 April.
International Sand Blast Company, San Francisco, U.S.A. Sand-blast apparatus. (W. H. Kelly)	22606	25 March
International Telegraphic Call Company, New York, U.S.A. Signalling- apparatus. (E. R. Gill)	21008	18 April, 1906	3	10 Jan.

ALPHABETICAL LIST OF APPLICANTS FOR LETTERS PATENT—*continued.*

Name, Address, and Invention.	Application.		Gazette.	
	No.	Date.	No.	Date.
Jack, A., Palmerston North, N.Z. Producing gas from hydrocarbon oils	22232	21 Dec., 1906..	18	21 Feb.*
Jackson, A. G., Brisbane, Queensland. Mechanism for totalisator, &c	22389	5 Feb. ..	18	21 Feb.*
Jackson, A. G., Brisbane, Queensland. Electric-clock mechanism ..	22388	5 Feb. ..	27	21 March.
Jackson, F. H., New Plymouth, N.Z. Garden-hoe ..	21972	26 Oct. ..	7	24 Jan.*
Jackson, F. H., and another, London, Eng. Clutching-device for communicating rotary motion	22313	15 Jan.
Jackson, J. D., Prahara, Vic. Water-heater ..	22228	20 Dec., 1906..	7	24 Jan.*
Jackson, J. D., Prahara, Vic. Water-heater ..	22277	8 Jan. ..	13	7 Feb.*
Jagger, P. B., London, Eng. Manufacturing concrete slabs, pipes, &c.	22482	10 March, 1906†
James, G. L. D., Napier, N.Z. (See F. T. Boys, No. 21183.)				
Jamieson, W., Christchurch, N.Z. Rotary engine ..	22604	26 March ..	36	18 April.*
Jansen, C., Palmerston North, N.Z. Draining clothes in process of washing. (E. J. Hall)	22557	19 March
Jensen, J. W., Palmerston North, N.Z. Cow's-tail holder ..	22379	31 Jan. ..	27	21 March.
Jerram, A. E., and another, Leicester, Eng. (See United Shoe Machinery Company, No. 21072.)				
Jillett, J. R., Titahi Bay, N.Z. Pleasure-boat window ..	22273	7 Jan.
Johansen, H. V., Auckland, N.Z. Explosive engine ..	22101	20 Nov. ..	7	24 Jan.*
Johnson, A. B., Auckland, N.Z. Curtain or screen elevator ..	22414	7 Feb. ..	27	21 March.*
Johnson, A. E., Brockton, U.S.A. (See United Shoe Machinery Company, No. 22490.)				
Johnson, C. J., Dunedin, N.Z. Trolley-pole ..	22299	7 Jan. ..	13	7 Feb.*
Johnson, C. J., Christchurch, N.Z. Automatically drawing down trolley-poles when such leave the wire	22531	12 March ..	33	4 April.*
Johnson, E. M., Woodville, N.Z. Fattening calves ..	22311	14 Jan. ..	18	21 Feb.*
Johnson, G. B., Westminster, Eng. Machinery for corrugating metal-sheets	22316	15 Jan. ..	18	21 Feb.
Johnson, H. H., and another, Forbes, N.S.W. Gas-lamp lighter and extinguisher	22314	15 Jan. ..	13	7 Feb.*
Jones, J. H., and another, Cromwell, N.Z. Saving of gold in dredges	20394	28 Nov., 1905	27	21 March.
Jones, L. C. R., and others, Sydney, N.S.W. Mail-bag fastener ..	22447	21 Feb. ..	36	18 April.
Joseph, A. L., Sydney, N.S.W. Septic treatment of sewage ..	22533	13 March
Josling, H. W. E., London, Eng. Preventing fraudulent refilling of bottles	22428	14 Feb.
Juriss, M., Wellington, N.Z. Dumb-bells, clubs, &c. ..	22286	9 Jan.
Kane, W., and another, Cromwell, N.Z. Gold-saving dredge ..	20394	28 Nov., 1905	27	21 March.
Kannel. (See Van Kannel.)				
Kannuliuk, J., and another, Melbourne, Vic. Drawing off fumes or gases from urinals, &c.	22467	27 Feb. ..	33	4 April.*
Katene, W., Manaia, N.Z. Form of sheet iron for building purposes	22544	14 March
Keane, J. T., Bendigo, Vic. Displaying mathematical tables ..	22221	20 Dec., 1906	7	24 Jan.*
Keats, T., Sheffield, N.Z. Plough ..	21777	12 Sept., 1906	13	7 Feb.*
Keesing, H. M., Auckland, N.Z. High-pressure boiler ..	22546	12 March
Kelly, G., Napier, N.Z. Book-marker ..	22367	29 Jan. ..	13	7 Feb.*
Kelly, W. H., San Francisco, U.S.A. (See International Sand Blast Company, No. 22606.)				
Kendall, S., Abbotsford, Vic. Gas-burner ..	22431	14 Feb. ..	33	4 April.*
Kendrick and Hill Manufacturing Company, The, Denver, U.S.A. Lawn-mower. (A. Hill)	22579	21 March
Kenna, P. A., Sydney, N.S.W. Tobacco-pipe ..	20662	31 Jan., 1906..	13	7 Feb.
Kennedy, E. G., Feilding, N.Z. Boot ..	22304	12 Jan.
Kerr, E. G., and another, Timaru, N.Z. Issuing checks or tickets ..	22578	21 March
Kidd, C. A., Christchurch, N.Z. Bicycle-pedal strap ..	22573	20 March
Kidder, W. P., and others, Boston, U.S.A. (See the Imperial Writing Machine Company, Limited, No. 22518.)				
Kirkpatrick, J. S., Pukekohe, N.Z. Door or gate fastening ..	22437	14 Feb. ..	27	21 March.*
Knowles, W., Christchurch, N.Z. Boot or shoe ..	22378	31 Jan.,
Knudsen, I. P. B., Copenhagen, Denmark. Centrifugal machine ..	22551	13 March ..	36	18 April.
Knudsen, I. P. B., Copenhagen, Denmark. Centrifugal separator ..	22552	13 March ..	36	18 April.
Knudsen, I. P. B., Copenhagen, Denmark. Bearing for rapidly rotating bodies	22553	13 March ..	36	18 April.
Kowtnnoff. (See Poljakoff-Kowtnnoff.)				
Lamme, B. G., Pittsburg, U.S.A. (See the British Westinghouse Electric and Manufacturing Company, Limited, Nos. 22537 to 22540.)				
Lampen, F. H., Wellington, N.Z. Signalling-flags..	22558	19 March
Lampeu, F. H., Wellington, N.Z. Range-finder ..	22595	25 March
Lane, T., Wanganui, N.Z. Securing rubber heels to boots or shoes ..	22459	21 Feb. ..	33	4 April.*
Lautour. (See De Lautour.)				
Le Blanc, A., Carlton, Vic. Fumigating rabbits ..	22265	3 Jan.
Le Blanc, M., Paris, France. (See La Société Anonyme Westinghouse, No. 22480.)				
Lee, S. C., and another, London, Eng. (See Checkogram, Limited, No. 22470.)				
Lees, H. R., Daylesford, Vic. Potato-harvester ..	22347	23 Jan. ..	18	21 Feb.
Lehmann, C. G., Lockhart, N.S.W. Harvesting-machine ..	22392	2 Feb. ..	18	21 Feb.*
Leydon, J. B., Gisborne, N.Z. Vehicle-seat ..	21969	25 Oct., 1906..	7	24 Jan.
Lilley, J., Christchurch, N.Z. Fencing-wire twister ..	22413	11 Feb. ..	33	4 April.*
Linotype and Machinery, Limited, London, Eng. (See W. E. Hughes, Nos. 22178, 22486.)				

ALPHABETICAL LIST OF APPLICANTS FOR LETTERS PATENT—*continued.*

Name, Address, and Invention.	Application.		Gazette.	
	No.	Date.	No.	Date.
Linotype and Machinery, Limited, London, Eng. Printing-machine. (T. R. G. Parker)	22569	20 March
Ljungstrom, B., and another, Stockholm, Sweden. (See Aktiebolaget Separator, No. 22514.)				
Ljungstrom, F., and another, Stockholm, Sweden. (See Aktiebolaget Separator, No. 22514.)				
Love, R., Auckland, N.Z. Games-advertising medium	22554	13 March
Lovett, T. J., Chicago, U.S.A. Magnetic separator	22385	5 Feb. ..	23	7 March.
Lowden, jun., J., Mataura, N.Z. Preventing punctures in tires ..	22329	21 Jan. ..	27	21 March.*
Lucas, R. H., Melbourne, Vic. Puncture-sealing compound and device. (W. H. Hunt)	22264	3 Jan.
Lumsden, G. D., Christchurch, N.Z. Steamer and strainer for cooking- utensils	22600	26 March
Lund, T. E., and another, Johannesburg, Transvaal. Nut-lock ..	21955	24 Oct., 1906..	23	7 March.
Macdougall, W. H., Christchurch, N.Z. Building for totalisator ..	22522	7 March ..	36	18 April.*
Macintosh, T. W., Penshurst, N.S.W. Sheet-metal lathing	22452	21 Feb.
Mackanness, G., and another, Sydney, N.S.W. Screw propeller ..	22312	15 Jan. ..	18	21 Feb.
Mackay, H., Martinborough, N.Z. Bicycle chain-guard	22561	20 March
Mackie, J., and another, Riverlea, N.Z. Milk-weighing can	22247	27 Dec., 1906..	13	7 Feb.*
Maepheron, R., and another, Brondesbury, Eng. Detergent	21515	16 Nov., 1905†	13	7 Feb.
Maganite Explosives Syndicate, Limited, Cape Town, Cape Colony. Explosives. (H. C. L. Bloxam)	21334	22 June, 1906	27	21 March.
Mahoney, B. G., and another, Dunedin, N.Z. Tire-inflator	22574	20 March
Mahoney, D., Christchurch, N.Z. Cycle-crank	22303	11 Jan.
Malcolm Fraser Wheel Syndicate, Limited, The, London, Eng. Spring tires for wheels. (A. R. Hubbard)	22261	23 Jan., 1906†
Malocsay, F., New York, U.S.A. (See British-American Tobacco Com- pany, Limited, No. 22342.)				
Mander, H., and another, Feilding, N.Z. Tire-furnace	22276	7 Jan. ..	13	7 Feb.*
Manley, J. W., and another, New Barnet, Eng. Preventing leakage of electricity	22252	27 Dec., 1906	13	7 Feb.
Marino, Q., and another, London, Eng. Treatment of wood	22171	7 Dec., 1906..	7	24 Jan.
Marks, H. S., Leongatha, Vic. Door or gate holder	22223	20 Dec., 1906..	13	7 Feb.*
Marsdon, N., and another, Auckland, N.Z. Anæsthetic	22555	14 March ..	36	18 April.*
Martin, C., Eltham, N.Z. Vehicle-seat	22370	31 Jan. ..	33	4 April.
Masters, E., and others, Sale, Vic. Butter-box	21099	5 May, 1906..	23	7 March.
Matthews, C. H., Wellington, N.Z. Means for re-covering billiard-tables	22594	25 March
Maunder, A., and others, Ashhurst, N.Z. Operating window-blinds and curtain-poles	22383	1 Feb.
Maunder, J. B., and others, Ashhurst, N.Z. Operating window-blinds and curtain-poles	22383	1 Feb.
Maunder, R. M., Ashhurst, N.Z. Washing-board	22382	1 Feb. ..	23	7 March.*
Maunder, R. M., and others, Ashhurst, N.Z. Operating window-blinds and curtain-poles	22383	1 Feb.
Mayer, J., and another, Berlin, Germany. (See W. E. Hughes, No. 22178.)				
Mayr, H., Auckland, N.Z. Preventing ring slipping from finger ..	22409	9 Feb. ..	23	7 March.*
McCallum, W., Blenheim, N.Z. Automatically placing windmills in and out of gear	22464	25 Feb. ..	33	4 April.*
McCarty, F. J., San Francisco, U.S.A. Wireless telephone	21101	8 May, 1906..	27	21 March.
McClellan, H. W., Hawthorn, Vic. Gas water-heater	21114	9 May, 1906..	27	21 March.
McCluggage, J., and another, Whangamomona, N.Z. Potato, &c., digger	22530	11 March ..	36	18 April.*
McCorkindale, A., Island Block, N.Z. Water-motor for pipe-lines ..	22328	10 Jan. ..	23	7 March.
McDonald, T. W., Port Fairy, Vic. Can-soldering machine	22295	10 Jan. ..	13	7 Feb.*
McEachern, W., Rosewood, N.S.W. Bottle attachments and aerated- liquid delivering	22418	13 Feb. ..	27	21 March.
McEachern, W., Rosewood, N.S.W. Measured-charge delivery-device	22396	6 Feb. ..	27	21 March.*
McEvoy, J., and others, Sydney, N.S.W. Boots for diggers, &c. ..	22469	25 Feb.
McEvoy, J. H., and others, Sydney, N.S.W. Boots for diggers ..	22469	25 Feb.
McEvoy, R., and others, Sydney, N.S.W. Boots for diggers ..	22469	25 Feb.
McFee, E., Dunedin, N.Z. Cabinet and teaching-appliance	22088	21 Nov., 1906	7	24 Jan.
McGarva, T. F., Christchurch, N.Z. Cradle	22237	22 Dec., 1906..	27	21 March.*
McGinn, P. J., Salisbury, Rhodesia. Vehicle-spring	22516	6 March
McKenzie, D., Auckland, N.Z. Wire mattress and bed-rest	22618	25 March
McLean, D. W., Methven, N.Z. Tire	22563	20 March
McLean, F. E., Henley, N.Z. Teat-cup-mouthpiece fastening ..	22231	18 Dec., 1906	7	24 Jan.*
McLennan, W. J., and another, Middlesex, Eng. Machine for brushing the human spine and back	22483	28 Feb. ..	33	4 April.
McLoughlin, J., and another, Cromwell, N.Z. Hanging wall-papers ..	21775	11 March ..	27	21 March.*
McMath, D. C., and another, Balfour, N.Z. Skim-coulter of plough ..	22308	11 Jan. ..	23	7 March.*
Medhurst, F. W., Hobart, Tas. Telephone and telegraph instrument	21079	3 May, 1906	23	7 March.
Mein, W. G., and another, London, Eng. Castor	21007	18 April, 1906	3	10 Jan.
Mence, W. H., and another, Latrobe, Tas. Corrugated-iron ridge- capping	22475	28 Feb. ..	33	4 April.
Meredith, J. T., Geraldine, N.Z. Construction of motor or cycle tire ..	22377	31 Jan. ..	23	7 March.*
Merralls, W. A., San Francisco, U.S.A. Process of and apparatus for cyaniding	22427	14 Feb. ..	27	21 March.
Merrell, I. S., and others, Syracuse, U.S.A. (See Merrell-Soule Com- pany, No. 21794.)				

ALPHABETICAL LIST OF APPLICANTS FOR LETTERS PATENT—continued.

Name, Address, and Invention.	Application.		Gazette.	
	No.	Date.	No.	Date.
Merrell, L. C., and others, Syracuse, U.S.A. (See Merrell-Soule Company, No. 21794.)				
Merrell-Soule Company, Syracuse, U.S.A. Recovering solids from liquids. (L. C. and I. S. Merrell, and W. B. Gere)	21794	15 Sept., 1906	27	21 March.
Mieville, M. F., Chichester, Eng. Production of carburetted air ..	22503	4 March. ..	36	18 April.
Mills, E. G., South Yarra, Vic. Food for calves. (F. J. Corbett) ..	21231	30 May, 1906	23	7 March.
Mitchell, J., Auckland, N.Z. Treatment of sewage ..	21363	28 June, 1906	23	7 March.
Moin, E., and another, Sydney, N.S.W. Gas-lamp lighter and extinguisher	22314	15 Jan. ..	13	7 Feb.*
Molas, J., and another, London, Eng. Turbine ..	22372	31 Jan. ..	18	21 Feb.
Montgomery, J., Dunedin, N.Z. Cooling-chamber ..	22423	8 Feb. ..	33	4 April.*
Moore, G., London, Eng. Separating gold, &c. ..	20929	30 March, 1906	3	10 Jan.
Morgan, A., Palmerston North, N.Z. Operating electric bells	22217	19 Dec., 1906	18	21 Feb.*
Morkill, N. A., and another, London, Eng. (See Checkogram, Limited, No. 22470.)				
Morris, T., Dunedin, N.Z. Body-heat producer ..	22442	16 Feb.
Morton, J. A., and others, Leicester, Eng. Lasting-machine for boots and shoes	22386	5 Feb. ..	23	7 March.
Moss, A. E., Dunedin, N.Z. Electric shop-alarm mat ..	22492	25 Feb.
Moss, E., Christchurch, N.Z. Stamping and franking letters ..	22510	5 March ..	33	4 April.*
Mote, H., Sydney, N.S.W. Extension step-ladder ..	22391	5 Feb. ..	23	7 March.
Mote, H., and others, Sydney, N.S.W. Extension ladder ..	22521	22 Aug., 1906	33	4 April.
Mote, L., and others, Sydney, N.S.W. Extension ladder ..	22321	22 Aug., 1906	33	4 April.
Mote, L., and others, Auckland, N.Z. Extension ladder ..	22521	22 Aug., 1906	33	4 April.
Muggeridge, C. E., and another, Chapel-en-le-Frith, Eng. Door ..	22300	8 Jan.
Muir, G. T., and others, trading as J. and T. Muir, Melbourne, Vic. Manufacture of sash-weights. (W. C. Turpel)	22526	5 March ..	36	18 April.
Muir, J. K., and others, trading as J. and T. Muir, Melbourne, Vic. Manufacture of sash-weights. (W. C. Turpel)	22526	5 March ..	36	18 April.
Muir, T. M., and others, trading as J. and T. Muir, Melbourne, Vic. Manufacture of sash-weights. (W. C. Turpel)	22526	5 March ..	36	18 April.
Muirhead, A., Shortlands, Eng. (See A. C. Baronio, No. 22504.)				
Munt, F. W., Wellington, N.Z. Stamp-affixer ..	22233	21 Dec., 1906	7	24 Jan.*
Murchison, D., Orawia, N.Z. Seed-sower ..	22289	9 Jan. ..	13	7 Feb.*
Murdoch, J., Wellington, N.Z. Toilet-cabinet ..	22559	19 March
Murray, R. L. H., Auckland, N.Z. Acetylene gas-lamp generator ..	22411	6 Feb.
Nelson, G., Napier, N.Z. (See F. T. Boys, No. 21183.)				
Neveu. (See De Neveu.)				
Newman, G., Thames, N.Z. Target for rifle-range ..	22523	7 March
Nichol, G. M., Hauti, N.Z. Axe-handle extraction ..	22258	29 Dec., 1906	7	24 Jan.*
Nichol, G. M., Hauti, N.Z. Wedge for securing axe-handles ..	22458	21 Feb. ..	33	4 April.*
Nobbs, J., and another, Wellington, N.Z. Bridge back plates of furnace	22416	12 Feb.
North, R., and another, London, Eng. Hermetically sealing tins ..	22028	7 Nov., 1906	7	24 Jan.
Olds, R., Cromwell, N.Z. Fencing-standard ..	22173	10 Dec., 1906	23	7 March.*
Olsen, N., West Plains, N.Z. Opening and shutting gates ..	22603	27 March
O'Neil, T., Hinde's Ferry, N.Z. Wire distributor and collector ..	22317	15 Jan. ..	13	7 Feb.*
Overend, R. S., and others, Sale, Vic. Butter-box ..	21099	5 May, 1906	23	7 March.
Page, W. C., and another, Wellington, N.Z. Reinforced-concrete structures	22556	19 March
Pannell, L. A., Christchurch, N.Z. Hobble for horses ..	22565	19 March
Parker, A. E., London, Eng. (See Babcock and Wilcox, No. 22298.)				
Parker, F., and another, Gisborne, N.Z. Scaffolding-bracket ..	22305	9 Jan. ..	18	21 Feb.*
Parker, T. R. G., Broadheath, Eng. (See Linotype and Machinery, Limited, No. 22569.)				
Parry, H. E., Guildford, W.A. Counting-machine ..	22226	20 Dec., 1906	7	24 Jan.
Parsons, A., and others, Leeds, Eng. Lasting-machine for boots and shoes	22386	5 Feb. ..	23	7 March.
Parsons, C. A., Newcastle-on-Tyne, Eng. Packing-device for turbine-shaft	20806	5 March, 1906	23	7 March.
Parsons, H., Southampton, Eng. Device for applying to tire to prevent puncture and skidding	22412	8 Feb.
Partridge, G. E., and another, Cromwell, N.Z. Hanging wall-papers ..	21775	11 March ..	27	21 March.*
Pataud, H., Paris, France. Wheel-felloe ..	22284	9 Jan. ..	13	7 Feb.
Pataud, H., Paris, France. Vehicle-wheel rims ..	22517	6 March ..	36	18 April.
Paterson, J. E., and others, Sale, Vic. Butter-box ..	21099	5 May, 1906	23	7 March.
Patterson, J. R., Wellington, N.Z. Generating gas from hydrocarbon oils	22497	2 March ..	33	4 April.*
Payne, C. J. H., Limehills, N.Z. Non-refillable bottle ..	21182	19 May, 1906 ..	27	21 March.
Pearson, H. P., Manchester, Eng. Hats of straw, palm-leaf, &c. ..	22568	20 March
Peterson, J., and another, Invercargill, N.Z. Cream-cooler ..	22615	26 March
Phillips, J., and another, Topunga, Queensland. Fencing-dropper and wire-fastener	22282	9 Jan. ..	13	7 Feb.*
Philpott, F. G., Lindenow, Vic. Wash-board ..	22332	23 Jan. ..	18	21 Feb.
Platt, W., Highbank, N.Z. Potato-peeler ..	22254	28 Dec., 1906	13	7 Feb.
Plummer, J. S., Auckland, N.Z. Cot or stretcher ..	22235	19 Dec., 1906	7	24 Jan.*
Poljakoff-Kowtnnoff, T., Tjora, Russia. (See J. Aivaz, No. 22354.)				
Polley, A. R., and others, Woollahra, N.S.W. Mail-bag fastener. ..	22447	21 Feb. ..	36	18 April.
Pollock, J. H., Wellington, N.Z. Racehorse-controller ..	22325	19 Jan. ..	13	7 Feb.*

ALPHABETICAL LIST OF APPLICANTS FOR LETTERS PATENT *continued.*

Name, Address, and Invention.	Application.		Gazette.	
	No.	Date.	No.	Date.
Potts, W. E., Gore, N.Z. Dredge-bucket cleaner	22302	8 Jan.
Preston, J. C., Sydney, N.S.W. Elastic-fluid motor	22373	31 Jan.
Preston, J. C., Sydney, N.S.W. Sheep-shears	22374	31 Jan.
Pride, J. P., and another, Leicester, Eng. (See United Shoe Machinery Company, No. 21073.)				
Primmer, C. F., Christchurch, N.Z. Centrifugal-separator disc ..	22255	28 Dec., 1906	13	7 Feb.*
Printing Machinery Company, Limited, London, Eng. (See W. E. Hughes, Nos. 20567 and 20568.)				
Prollius, B. A. O., Copenhagen, Den. Centrifugal machine ..	22589	20 March
Pyke, H. J. A., Auckland, N.Z. Purifying and solidifying kauri-gum	22457	19 Feb. ..	33	4 April.
Quertier, H., Dunedin, N.Z. Tram-rail cleaner	20936	2 April, 1906	13	7 Feb.
Quertier, H., Dunedin, N.Z. Rail-cleaner	22267	3 Jan. ..	27	21 March.*
Quinlan, T. H., and others, London, Eng. (See Cork Asphalt, Limited, No. 22119.)				
Quinnell, W. C., Wellington, N.Z. Milk pail and stool	20695	10 Feb., 1906	7	24 Jan.
Radclyffe, D. E., Staines, Eng. Fibre-scutter, &c.	21993	31 Oct., 1906	27	21 March.
Railway Supplies Limited, Toronto, Canada. (See E. N. Waters, No. 22485.)				
Raine, A. C., Melbourne, Vic. Germ-excluder	22216	19 Dec., 1906	23	7 March.*
Raleigh, T. E., Corop, Vic. Drafting-gate for animals	22364	29 Jan. ..	13	7 Feb.*
Raper, F., and another, Alexandra South, N.Z. Wire-strainer ..	22430	14 Feb. ..	33	4 April.*
Raven, F., Korumburra, Vic. Milking-machine and connections	22351	24 Jan. ..	13	7 Feb.*
Rayward, H. H., and another, Wellington, N.Z. Lock-nut. (W. Hubbard)	22285	9 Jan. ..	13	7 Feb.
Reardon, R. E., Ottawa, Canada. Rifle-sight	22506	4 March
Reed, R. E., Oakleigh, Vic. Automatic music-turner	22498	27 Feb. ..	33	4 April.*
Rees, E. S. G., Wolverhampton, Eng. Rotary pump and turbine ..	22588	19 March
Reichel, L. T., Wellington, N.Z. Baled-goods indicator	22444	20 Feb. ..	27	21 March.*
Reid, A., and another, Whangamomona, N.Z. Potato, &c., digger ..	22530	11 March ..	36	18 April.*
Reid, J., Hamilton, N.Z. Binder-apron	22358	25 Jan.
Reimers, H. H., Auckland, N.Z. Steamer for dairying purposes ..	21823	21 Sept. 1906	3	10 Jan.
Reisler, G., Shotover River, N.Z. Propeller	22434	18 Feb. ..	23	7 March.*
Richardson, C., and another, Auckland, N.Z. Electrically distilling and purifying gum	22359	23 Jan. ..	18	21 Feb.*
Richmond, R. R., and another, Wellington, N.Z. Signal-lamp ..	22274	7 Jan. ..	18	21 Feb.*
Richmond, R. R., and another, Wellington, N.Z. Pipe-joint ..	22291	9 Jan. ..	13	7 Feb.*
Richmond, R. R., and another, Wellington, N.Z. Billiard-toy ..	22318	15 Jan. ..	13	7 Feb.*
Richmond, R. R., and another, Wellington, N.Z. Shafting of steam- vessel	22357	25 Jan. ..	18	21 Feb.*
Richmond, R. R., and another, Wellington, N.Z. Calculating pro- tractor for scales for setting out drawings	22356	25 Jan. ..	18	21 Feb.*
Richmond, R. R., and another, Wellington, N.Z. Vessel for heating purposes	22439	18 Feb.
Richmond, R. R., and another, Wellington, N.Z. Sewing-machine ..	22438	18 Feb. ..	33	4 April.*
Richmond, R. R., and another, Wellington, N.Z. Brick	22608	28 March
Ricketts, T. R., and others, Warragul, Vic. Rotary engine	22403	6 Feb. ..	27	21 March.
Ridgway, G., Kalgoorlie, W.A. Atmospheric filter	20819	8 March, 1906	7	24 Jan.
Rischmuller, G., Oakland, U.S.A. Turbine	22505	4 March ..	36	18 April.
Rissel, A. K. W., Wellington, N.Z. Ascertaining dampness in wool, &c.	22495	1 March ..	33	4 April.*
Rissmuller, L., New York, U.S.A. Drying, grinding, and screening apparatus	21946	19 Oct., 1906	7	24 Jan.
Roberts, T., Wellington, N.Z. Window	22319	17 Jan. ..	18	21 Feb.*
Robertson, M., Fitzroy, Vic. Manufacturing coated articles, such as chocolate confections, &c.	22346	23 Jan. ..	18	21 Feb.
Rochfort, H., Auckland, N.Z. Extracting metals from slimed ores ..	22415	9 Feb. ..	33	4 April.*
Rochfort, H., Auckland, N.Z. Filtering suction hose	22598	23 March
Rogers, A. H., Wanganui, N.Z. Cooling beer	22380	29 Jan.
Rogers, A. W., Beverly, U.S.A. (See S. W. Winslow, No. 22572.)				
Rolley, T., Brisbane, Queensland. Operating casement-windows, fan- lights, &c.	22451	21 Feb. ..	33	4 April.*
Rollo, J. A., Christchurch, N.Z. Weeding-implement	22324	18 Jan. ..	18	21 Feb.*
Rose, S. A. M., and another, Richmond, Vic. Target	22266	3 Jan. ..	13	7 Feb.
Rowland, A., Wellington, N.Z. Motor-tire	22601	26 March
Rundle, W., and another, Johannesburg, Transvaal. Nut-lock ..	21955	24 Oct., 1906	23	7 March.
Sargison, A. S., and others, Hokitika, N.Z. Band-music stand ..	21004	17 April, 1906	33	4 April.
Saur, G., Esch, Luxembourg. Flushing-cistern	22419	13 Feb.
Scharf, W. H., Montreal, Canada. (See W. E. Hughes, No. 22486.)				
Schultz, E., Geelong, Vic. (See T. S. Humble, No. 22251.)				
Schwartz, A., Christchurch, N.Z. Feed-bag for horses, &c. (C. H. Avey)	22405	7 Feb. ..	23	7 March.
Sears, T., and others, London, Eng. Dasher for churn.	21820	25 Sept., 1905†	13	7 Feb.
Seward, E. C., and another, Guilford, U.S.A. (See E. N. Waters, No. 22485.)				
Shadgett, E., Kilbirnie, N.Z. Treatment of bananas	22079	20 Nov., 1906	13	7 Feb.*
Sharman, F., London, Eng. Rotary-power bottling-machine. ..	22501	22 Jan., 1906†
Sharpe, J., Glebe, N.S.W. Bottle-stopper.	22542	11 March ..	36	18 April.*
Sharpe, J., Glebe, N.S.W. Jar for liquid under pressure	22619	27 March
Shattuck, C. E., Nashua, U.S.A. Pounding-up machine	22570	20 March

ALPHABETICAL LIST OF APPLICANTS FOR LETTERS PATENT—continued.

Name, Address, and Invention.	Application.		Gazette.	
	No.	Date.	No.	Date.
Sheaf, F., Tomoana, N.Z. Swath-turner	22290	9 Jan. ..	13	7 Feb.*
Shelton, F. J., Wellington, N.Z. Acetylene-generator	22275	7 Jan.
Shepherd, R. S., Auckland, N.Z. Bedstead-foot	22361	23 Jan. ..	18	21 Feb.*
Shimmen, R., and another, Ballan, Vic. Grading and cleaning potatoes, &c.	22349	23 Jan. ..	13	7 Feb.*
Shortland, F., and another, Rushden, Eng. (See United Shoe Machinery Company, No. 22491.)				
Silver, W., Tamworth, N.S.W. Sheep-shearing machine	22399	6 Feb. ..	23	7 March.
Simpkin, W., and another, Twickenham, Eng. (See J. T. Hunter, No. 22262.)				
Sinclair, R. K., London, Eng. Windguard for tobacco-pipe	22279	8 Jan.
Slee, E. S., and another, North Carlton, Vic. Sweeping and elevating road-refuse	22612	28 March
Smaill, A., Dunedin, N.Z. Teat-cup	20999	11 April, 1906	18	21 Feb.
Smaill, A., Tomahawk, N.Z. Teat-cup	21809	18 Sept., 1906	33	4 April.
Smart, J., Auckland, N.Z. Ventilating-cover for drains	22322	17 Jan. ..	13	7 Feb.*
Smeeton, J. A., and another, London, Eng. Turbine	22372	31 Jan. ..	18	21 Feb.
Smith, D., and another, Christchurch, N.Z. Golosh	22330	21 Jan. ..	23	7 March.
Smith, F. W., Blenheim, N.Z. Taking samples of milk for dairies	22259	2 Jan. ..	13	7 Feb.*
Smith, F. W., and another, Christchurch, N.Z. Golosh	22330	21 Jan. ..	23	7 March.
Smith, H. R., Christchurch, N.Z. Cutting the toes of boot or shoe soles	22468	27 Feb. ..	33	4 April.*
Smith, J. H., Kawana, N.Z. Non-refillable bottle	22387	5 Feb. ..	33	4 April.*
Smith, P. L., Northcote, Vic. Pneumatic-pump connection	22307	14 Jan. ..	18	21 Feb.
Smith, R. M., Auckland, N.Z. Field drain-pipe	22453	21 Feb.
Smulders, J. J. F. M., Rotterdam, Holland. Lighter for discharging coal	22610	28 March
Smulders, J. J. F. M., Rotterdam, Holland. Continuous conveyors for coal, &c.	22611	28 March
Snee, W., West Elizabeth, U.S.A. Wave-motor	22176	10 Dec., 1906	27	21 March.
Societa di Esportazione Polenghi, Lombardo, and another, Codogno, Italy. Treating skimmed milk and milk serum	22471	28 Feb. ..	36	18 April.
Société Anonyme Westinghouse, La, Paris, France. Jet or surface condenser. (M. Le Blanc)	22480	28 Feb. ..	36	18 April.
Société des Etablissements Singrun, and another, Epinal, France	22508	3 March, 1906†
Soncini, E., and others, Milan, Italy. Treating skimmed milk and milk serum	22471	28 Feb. ..	36	18 April.
Sprey, E., Dunedin, N.Z. Loose sock for boots, &c.	22443	16 Feb. ..	33	4 April.*
Staines, F., Melbourne, Vic. Pea-sheller	20390	29 Nov., 1905	23	7 March.
Stange, L., Aix-la-Chapelle, Ger. (See the Chemical Industrial Syndicate, Limited. No. 22341.)				
Starr, F., San Francisco, U.S.A. (See W. E. Hughes, No. 22336.)				
Stebbing, J. B., Auckland, N.Z. Envelope-opener	22511	5 March
Steele, J. A., Tamaheri, N.Z. Apron of harvester-binder	22585	23 March
Stephens, B. G. C., and another, Dunedin, N.Z. Tire-inflator	22574	20 March
Stephenson, J. F., Glenferrie, Vic. Bedstead and mattress	20612	23 Jan., 1906	13	7 Feb.
Stevenson, L., and another, Port Chalmers, N.Z. Stone-shoot for dredges	20735	13 Feb., 1906	3	10 Jan.
Stewart, J., Gore, N.Z. Draught attachment for reaper-and-binder	22435	15 Feb. ..	33	4 April.
Stewart, T., Waihi, N.Z. Cleaning ships' hulls	22550	15 March
Stewart, W. R., and another, Latrobe, Tas. Corrugated-iron ridge-capping	22475	28 Feb. ..	33	4 April.
Stickling, W. H., and others, Sale, Vic. Butter-box	21099	5 May, 1906	23	7 March.
Stockall, jun., J. J., London, Eng. (See Checkogram, Limited, Nos. 22455 and 22456.)				
Stocks, W., Vancouver, B.C. Stave-built pipes	22398	6 Feb. ..	23	7 March.
Stoddart, F. W., Bristol, Eng. Sewage-distributor	21889	5 Oct., 1906	7	24 Jan.
Stone, A. W., Fitzroy, Vic. Hide or skin measuring machine	22472	28 Feb. ..	33	4 April.*
Stone, W., Dunedin, N.Z. Tent-peg	22301	8 Jan. ..	18	21 Feb.*
Storey, C. B. C., and another, Lancaster, Eng. Ore-crusher	21765	11 Sept., 1906	7	24 Jan.
Storey, H., Auckland, N.Z. Boiler	20755	21 Feb., 1906..	7	24 Jan.
Storrie, A., Invercargill, N.Z. Milking-can	22581	22 March
Suter, F. W., and another, London, Eng. Safety-lamp, and air-carburettor therefor	22507	4 March ..	36	18 April.
Sutherland, T., Wellington, N.Z. Cooking-vessel	22195	13 Dec., 1906..	13	7 Feb.*
Sutton, T. B., Rongotea, N.Z. Butter-box	22257	29 Dec., 1906..	7	24 Jan.
Tait, A. L. J., Dunedin, N.Z. Stripping and treating flax-fibre	20955	31 March, 1906	23	7 March.
Taucher, J., Wellington, N.Z. Clothes-pegs	22260	2 Jan. ..	13	7 Feb.*
Taylor, H., Wellington, N.Z. Fireproof starch	21209	26 May, 1906..	7	24 Jan.
Taylor, J., Inglewood, N.Z. Harrow	21923	17 Oct., 1906..	7	24 Jan.
Taylor, T. E., Christchurch, N.Z. Tramway-track cleaner	21142	15 May, 1906..	33	4 April.
Teese, W. J., Balaclava, Vic. (See W. H. Blackham, Nos. 22536 and 22535.)				
Thomas, A. E., Coolgardie, W.A. Rock-drill. (J. Arthur).. .. .	20853	14 March, 1906	3	10 Jan.
Thomas, W. G., and another, Fitzroy, Vic. Lifting-jack	22454	21 Feb. ..	33	4 April.*
Thompson, A., Dunedin, N.Z. Horse-cover fastening	20933	29 March, 1906	18	21 Feb.
Thomson, J., Invercargill, N.Z. Tire	22583	13 March
Thornton, D. G., and another, Wellington, N.Z. Pocket of wearing-apparel	22410	9 Feb.
Todd, A., Invercargill, N.Z. Seed-sower	22547	12 March
Todd, C., and another, Heriot, N.Z. Protecting fruit-trees from birds	20808	6 March, 1906	18	21 Feb.
Topp, R. B., St. Omer, N.Z. Liquid-gauge for oil-engine	22333	23 Jan. ..	18	21 Feb.*
Tremayne, P., and another, Brunswick, Vic. Sweeping and elevating road-refuse	22612	28 March

ALPHABETICAL LIST OF APPLICANTS FOR LETTERS PATENT—continued.

Name, Address, and Invention.	Application.		Gazette.	
	No.	Date.	No.	Date.
Trevellian, F. H., Wellington, N.Z. Cash-register	21116	17 May, 1906..	13	7 Feb.
Tregelles, F. A., New Plymouth, N.Z. Ferro-concrete reinforcements	21137	10 May, 1906..	27	21 March.
Tropenas, A., Montelimar, France. Manufacture of steel	22157	20 Feb., 1906†	18	21 Feb.
Tuck, C. J., Dannevirke, N.Z. Snatch pulley or block	20704	12 Feb., 1906..	27	21 March.
Tuck, C. J., Makotuku, N.Z. Spoon	22402	6 Feb.
Turnbull, R. J., Dunedin, N.Z. Rotary shaking-tables	22198	10 Dec., 1906..	27	21 March.
Turpel, W. C., Sydney, N.S.W. (See G. T., T. M., and J. K. Muir, No. 22526.)				
Turri, G. G., and another, Melbourne, Vic. Ship's-progress indicator. (W. Cumming and T. Whittle)	22283	9 Jan.	13	7 Feb.
Ullrich, G., Broken Hill, N.S.W. Classifying ores	20846	14 March, 1906	33	4 April.
Ullrich, G., Broken Hill, N.S.W. Magnetic separation of ores	20847	14 March, 1906	33	4 April.
United Shoe Machinery Company, Paterson, U.S.A. Boot or shoe machine. (J. P. Pride and A. Bates)	21073	3 May, 1906..	27	21 March.
United Shoe Machinery Company, Paterson, U.S.A. Boot or shoe manufacture. (A. E. Jerram and A. Bates)	21072	3 May, 1906..	33	4 April.
United Shoe Machinery Company, Paterson, U.S.A. Shoe-sewing machine. (J. B. Hadaway)	22288	9 Jan.	13	7 Feb.*
United Shoe Machinery Company, Paterson, U.S.A. Machine for inserting fasteners. (A. Bates and T. Briggs)	22488	28 Feb.	33	4 April.*
United Shoe Machinery Company, Paterson, U.S.A. Machinery for reinforcing insoles. (A. Eppler)	22489	28 Feb.	33	4 April.*
United Shoe Machinery Company, Paterson, U.S.A. Machine for making insoles. (A. E. Johnson)	22490	28 Feb.	33	4 April.*
United Shoe Machinery Company, Paterson, U.S.A. Work feeding and guiding mechanism for shoe-machine. (A. A. Wadsworth and F. Shortland)	22491	28 Feb.	33	4 April.*
United Shoe Machinery Company, Paterson, U.S.A. Pounding-up machine. (C. E. Shattuck)	22570	20 March	36	18 April.*
United Shoe Machinery Company, Paterson, U.S.A. Grooving or channelling attachment for sewing-machines. (J. V. Allen)	22571	20 March	36	18 April.*
Usher, C. E. D., Johannesburg, South Africa. Slimes-treatment ..	22292	7 Jan.	13	7 Feb.
Van Kannel Revolving Door Company, Limited, The, and another, London, Eng. Door	22300	8 Jan.
Vize, F. P., and another, Echuca, Vic. Brush	22371	31 Jan.	23	7 March.*
Wadsworth, A. A., and another, Rushden, Eng. (See United Shoe Machinery Company, No. 22491.)				
Wakelin, G., Warkworth, N.Z. Acetylene-gas generator and holder..	22500	1 March
Walker, C. J., Fitzroy, Vic. Manufacture of boots and shoes ..	22420	13 Feb.	27	21 March.
Walker, J. H., and another, Dunedin, N.Z. Safety-cock and tap ..	22592	21 March
Walker, P., and another, Dunedin, N.Z. Safety-cock and tap ..	22592	21 March
Walker, W. R., Auckland, N.Z. Knee-protector	22528	5 March	36	18 April.*
Walters, A. A., Melbourne, Vic. Opening and closing lift-doors ..	22577	21 March
Ward, C. J., and another, Christchurch, N.Z. Shifting tramway-rail points into position from moving car	22478	27 Feb.	36	18 April.*
Warner, T., and another, Melbourne, Vic. Drawing off fumes or gases from urinals, &c.	22467	27 Feb.	33	4 April.*
Waters, E. N., Melbourne, Vic. Splice or angle bars for uniting railway-rails. (Railway Supplies, Limited—G. H. Williams and E. C. Seward)	22485	28 Feb.
Waters, E. N., Melbourne, Vic. Cable-chain grip. (A. Dixon—G. S. Fonts)	22564	20 March
Watson, A. P. F., and another, Christchurch, N.Z. Fence-standard ..	22496	1 March	33	4 April.
Watson, G. D., and another, Christchurch, N.Z. Fence-standard ..	22496	1 March	33	4 April.
Wauchope, J. A., and another, Cork, Ireland. Ore-crusher	21765	11 Sept., 1906	7	24 Jan.
Way, A. J., Wellington, N.Z. Apparatus for producing hydrocarbons..	22429	14 Feb.	36	18 April.*
Waycott, W. H., and another, Moonce Ponds, Vic. Indicating attachment for screw-cutting lathe	22395	6 Feb.	23	7 March.
Wayman, C., and another, London, Eng. Safety-lamp and air-carburettor therefor	22507	4 March	36	18 April.
Wearn, J., and another, Invercargill, N.Z. Cream-cooler	22615	26 March
Weaver, J. J., Southport, Eng. Incubator	22263	2 Jan.
Webster, A. J., Pirron Yallock, Vic. Milking-bail	22224	20 Dec., 1906..	7	24 Jan.*
West and Co., Limited, H. J., Surrey, Eng. Chilling and carbonating beer. (L. Chew)	22343	23 Jan.	18	21 Feb.
Westinghouse, G., Pittsburg, U.S.A. Draw-gear and coupling	22281	8 Jan.	13	7 Feb.
Westwood, E., Wellington, N.Z. Motor-car wheel and tire	22512	5 March	33	4 April.*
Wheeler, C. F., Ashburton, N.Z. Grate and fuel economiser	22520	6 March
White and Co., Limited, J. S., and others, East Cowes, Isle of Wight. Marine turbine	22150	24 March, 1906†	7	24 Jan.
White, B. W., Kaitoke, N.Z. Spoon	22327	19 Jan.	13	7 Feb.*
White, G. P., Wallace, U.S.A. (See J. A. Ferguson, No. 21207.)				
White, H. E., Christchurch, N.Z. Concrete-mixing machine	22602	27 March
Whitehorn, T., Coburg, Vic. Packing predetermined quantities in bags	22334	23 Jan.	18	21 Feb.*
Whitehouse, J., Waihi, N.Z. Wire-mattress bed	22580	21 March
Whiting, J., Paraparaumu, N.Z. Target-repairing apparatus	22310	14 Jan.	27	21 March.*
Whittle, T., and another, Traralgon, Vic. Ship's-progress indicator. (W. Cumming and T. Whittle)	22283	9 Jan.	13	7 Feb.

ALPHABETICAL LIST OF APPLICANTS FOR LETTERS PATENT—*continued.*

Name, Address, and Invention.	Application.		Gazette.	
	No.	Date.	No.	Date.
Wilkins, G. W., Panshurst, Vic. Solution for rendering fabrics fireproof	22582	22 March
Wilkins, W., and another, Wellington, N.Z. Bridge back plates of furnace	22416	12 Feb.
Wilkinson, C. E. J., Sydney, N.S.W. Envelope-fastener	22448	21 Feb.
Williams, G. H., and another, Kansas, U.S.A. (See E. N. Waters, No. 22485.)				
Williams, J. E., Greymouth, N.Z. Game	22355	24 Jan. ..	18	21 Feb.
Williams, R., Dunedin, N.Z. Sifting-screen	20689	9 Feb., 1906..	7	24 Jan.
Williams, R. B., Winton, N.Z. Umbrella	22591	21 March
Williams, T., Elmore, Vic. Animal-trap	22368	29 Jan.
Williams, W., and another, Dunedin, N.Z. Adjustable chair ..	22613	28 March
Wilson, A. W., and others, Melbourne, Vic. Butter-box ..	21099	5 May, 1906..	23	7 March.
Wilson, G. T., and another, Stratford, N.Z. Railway fish-plate ..	22024	7 Nov., 1906	18	21 Feb.*
Wilson, H., St. Kilda, Vic. Ore-grinding pan	21232	30 May, 1906..	27	21 March.
Wilson, M. G., Rongotea, N.Z. Collapsible box	22575	20 March
Wilson, T. H., Brisbane, Queensland. Sash-adjuster for railway-carriage	22296	7 Jan.
Wilson, W., and another, Dunedin, N.Z. Egg-carrier	22271	5 Jan. ..	{ 13 33	7 Feb.* 4 April.
Wilson, W., and another, Moonee Ponds, Vic. Indicating-attachment for screw-cutting lathe	22395	6 Feb. ..	23	7 March.
Windham, W. G., London, Eng. Vehicle-body	22297	7 Jan. ..	13	7 Feb.
Wingfield, W. T., and another, Melbourne, Vic. Stamp-pad ..	21678	22 Aug. 1906..	18	21 Feb.
Winslow, S. W., Beverly, U.S.A. Buffing and abrading machine. (A. W. Rogers)	22572	20 March ..	36	18 April.*
Witt. (See De Witt.)				
Witt, T. W., Wellington, N.Z. Handle for luggage-strap	21078	3 May, 1906..	18	21 Feb.
Wolledge, C. E., Christchurch, N.Z. Teapot and kettle	22293	8 Jan. ..	13	7 Feb.*
Woltereck, H. C., and another, London, Eng. Illuminating and heating gas	22366	29 Jan.
Wood, H. A. W., New York, U.S.A. (See W. E. Hughes, Nos. 22566 and 22567.)				
Wood, J. W., and another, Christchurch, N.Z. Shifting tramway-rail points into position from moving car	22478	27 Feb. ..	36	18 April.*
Woodbury, G. E., San Francisco, U.S.A. Ore-concentrator ..	22605	25 March ..	36	18 April.*
Woodcock, R. R., Napier, N.Z. Flushing-apparatus	22239	22 Dec., 1906..	23	7 March.*
Woodhouse, A. E., Kew, Vic. Electric-conductor conduit ..	20843	14 March, 1906	13	7 Feb.
Woodley, E. E., and another, Masterton, N.Z. Divisional blocks for straw-baling press	22462	25 Feb. ..	33	4 April.*
Wreathall, M. D., Christchurch, N.Z. Ice-making machine ..	22421	13 Feb. ..	33	4 April.*
Wright, B., and others, Leeds, Eng. Lasting-machine for boots and shoes	22386	5 Feb. ..	23	7 March.
Wright, J. C., and others, Leeds, Eng. Lasting-machine for boots and shoes	22386	5 Feb. ..	23	7 March.
Wright. (See Barton—Wright.)				
Young, A. E., and another, Christchurch, N.Z. Issuing checks or tickets	22578	21 March

Alphabetical List of Inventions for Quarter ending 31st March, 1907.

THIS list includes also (1) applications lodged prior to but gazetted during the quarter, (2) complete specifications following provisional specifications accepted and gazetted during the quarter. Where the number and date of the Gazette are omitted, the application has not yet been accepted.

* Denotes a provisional specification. † Denotes a prior date under section 106 of "The Patents, Designs, and Trade Marks Act, 1889."

Invention.	Name.	Application.		Gazette.	
		No.	Date.	No.	Date.
Accoutrements. (See Military Equipments.)					
Acetylene-gas generator	G. F. Hutchinson	20821	8 Mar., 1906	13	7 Feb.
Acetylene-gas generator	D. Houston	22227	20 Dec., 1906	13	7 Feb.
Acetylene-gas generator	F. J. Shelton	22275	7 Jan.
Acetylene-gas generator	N. Goodyear	22525	5 March ..	36	18 April.
Acetylene-gas generator and holder	G. Wakelin	22500	1 March
Acetylene-gas-lamp generator ..	R. L. H. Murray	22411	6 Feb.
Advertising-game	R. Love	22554	13 March
Advertising method	E. J. Hubbard	22433	16 Feb.
Aerated-liquid delivering	W. McEachern	22418	13 Feb. ..	27	21 March.
Air-brake	J. W. Cloud	21769	26 Mar., 1906	3	10 Jan.
Alarm. (See Shop-alarm.)					
Anæsthetic	W. H. Haslett and N. Marsden ..	22555	14 March ..	36	18 April.*

ALPHABETICAL LIST OF INVENTIONS—continued.

Invention.	Name.	Application.		Gazette.	
		No.	Date.	No.	Date.
Animal-trap	F. S. Buckingham	22348	23 Jan. ..	18	21 Feb.*
Animal-trap	T. Williams	22368	29 Jan.
Apron for reaper-and-binder	J. Reid	22358	25 Jan.
Apron for reaper-and-binder	J. A. Steele	22585	23 March
Atmospheric filter	G. Ridgway	20819	8 March ..	7	24 Jan.
Axe-handle, Extracting	G. M. Nichol	22258	29 Dec., 1906	7	24 Jan.*
Axe-handle, Wedge for securing	G. M. Nichol	22458	21 Feb. ..	33	4 April.*
Axe-head	H. S. Griffiths	22268	3 Jan. ..	27	21 March.*
Bag. (See Feed-bag, Mail-bag, Paper-bag.)					
Bag-filling appliance	T. B. Brock	22376	31 Jan. ..	18	21 Feb.
Bags, Packing predetermined quantities in	T. Whitehorn	22334	23 Jan. ..	18	21 Feb.*
Bail. (See Milking-bail.)					
Baled-goods moisture-indicator	L. T. Reichel	22444	20 Feb. ..	27	21 March.*
Baled-goods moisture-indicator	A. K. W. Rissel	22495	1 March ..	33	4 April.*
Baling-press, Blocks for	E. E. Woodley and C. J. Brogden	22462	25 Feb. ..	33	4 April.*
Bananas, Treatment of	E. Shadgett	22079	20 Nov., 1906	13	7 Feb.*
Band-music stand	A. S. Sargison, A. J. Debenham, and C. F. A. Cambridge	21004	17 April, 1906	33	4 April.
Bearing	I. P. B. Knudsen	22553	13 March ..	36	18 April.
Bed, Wire-mattress	J. Whitehouse	22580	21 March
Bedstead and mattress	J. F. Stephenson	20612	23 Jan., 1906	13	7 Feb.
Bedstead and mattress	D. McKenzie	22618	25 March
Bedstead, Folding-	G. Brennan	22063	15 Nov., 1906	13	7 Feb.
Bedstead-foot	R. S. Shepherd	22361	23 Jan. ..	18	21 Feb.*
Beer-cooler	H. J. West and Co., Limited	22343	23 Jan. ..	18	21 Feb.
Beer-cooler	A. H. Rogers	22380	29 Jan.
Beeswax, Rendering	F. R. Beuhne	22545	14 March ..	36	18 April.*
Bell. (See Electric bell.)					
Bias-adjustment for bowls	W. Dall	21689	23 Aug., 1906	7	24 Jan.
Bicycle-chain guard	H. Mackay	22561	20 March
Bicycle-pedal strap	C. A. Kidd	22573	20 March
Bicycle. (See also Cycle.)					
Billiard-table, Re-covering	C. H. Matthews	22594	25 March
Billiard-toy	A. H. Byron and R. R. Richmond	22318	15 Jan. ..	13	7 Feb.*
Binder-apron	J. Reid	22358	25 Jan.
Binder. (See Harvester-binder, Reaper-and-binder.)					
Birds, Protecting trees from	C. Harris and C. Todd	20808	6 Mar., 1906	18	21 Feb.
Bit for controlling horses	A. G. Harvey	21003	17 April, 1906	27	21 March.
Blast. (See Sand-blast.)					
Blight exterminator, Potato-	S. B. Corrigan	20617	23 Jan., 1906	13	7 Feb.
Blind. (See Window-blind.)					
Block. (See Building-block, Earthenware block, Printing-block, Road-making block, Snatch pulley or block.)					
Board. (See Wash-board, Weatherboard.)					
Boiler	H. H. Reimers	21823	21 Sept., 1906	3	10 Jan., 1907.
Boiler	H. Storey	20755	21 Feb., 1906	7	24 Jan.
Boiler, High-pressure	H. M. Keesing	22546	12 March
Book-marker	G. Kelly	22367	29 Jan. ..	13	7 Feb.*
Boot	J. M. Craigie	21878	3 Oct., 1906	18	21 Feb.*
Boot	E. G. Kennedy	22304	12 Jan.
Boot	C. J. Walker	22420	13 Feb. ..	27	21 March.
Boot buffing and abrading machine	S. W. Winslow	22572	20 March ..	36	18 April.*
Boot-fasteners, Inserting	United Shoe Machinery Company	22488	28 Feb. ..	33	4 April.*
Boot for diggers, &c.	J. H., R., and J. McEvoy	22469	25 Feb.
Boot-heel, Pneumatic	J. Darnell	22248	27 Dec., 1906	18	21 Feb.
Boot-heel, Securing	T. Lane	22459	21 Feb. ..	33	4 April.*
Boot-insoles, Making	United Shoe Machinery Company	22490	28 Feb. ..	33	4 April.*
Boot-insoles, Reinforcing	United Shoe Machinery Company	22489	28 Feb. ..	33	4 April.*
Boot-lasting machine	A. Parsons, J. A. Morton, and J. C. and B. Wright	22386	5 Feb. ..	23	7 March.
Boot-making machine	United Shoe Machinery Company	21072	3 May, 1906	33	4 April.
Boot-making machine	United Shoe Machinery Company	21073	3 May, 1906	27	21 March.
Boot-making machine, Work feeding and grinding mechanism for	United Shoe Machinery Company	22490	28 Feb. ..	33	4 April.*
Boot or shoe	W. F. Croyley	22352	24 Jan.
Boot or shoe	W. Knowles	22378	31 Jan.
Boot-sewing machine	United Shoe Machinery Company	22571	20 March ..	36	18 April.*
Boot-soles, Cutting the toes of	H. R. Smith	22468	27 Feb. ..	33	4 April.*
Boots, Sock for	E. Sprey	22443	16 Feb. ..	33	4 April.*
Boot-upper	J. M. and W. J. M. Craigie	22548	12 March ..	27	21 March.
Bottle. (See Non-refillable bottle.)					
Bottle for delivering aerated liquids	W. McEachern	22418	13 Feb. ..	27	21 March.
Bottle or jar	J. Sharpe	22619	27 March
Bottle-stopper	J. Sharpe	22542	11 March ..	36	18 April.*
Bottling-machine	F. Sharman	22501	22 Jan., 1906†
Bowls, Bias-adjustment for	W. Dall	21689	23 Aug., 1906	7	24 Jan.
Box. (See Butter-box, Collapsible box.)					
Box-making machine	W. R. Comings	22363	28 Jan.

ALPHABETICAL LIST OF INVENTIONS—continued.

Invention.	Name.	Application.		Gazette.	
		No.	Date.	No.	Date.
Bracket. (See Scaffolding-bracket.)					
Brake. (See Air-brake, Motor-vehicle brake, Railway-brake.)					
Brand. (See Carcase-brand.)					
Breeches buoy	J. W. Dalton	22335	23 Jan. ..	18	21 Feb.
Breech-loading small arms	P. T. Godsal	22484	28 Feb.
Brick and brick-laying method	R. R. Richmond and A. H. Byron	22608	28 March
Bridge. (See Suspension-bridge.)					
Brush	F. P. Vize and H. J. Broderick ..	22371	31 Jan. ..	23	7 March.*
Brush, Reservoir	A. J. Hall	21666	18 Aug., 1906	3	10 Jan.
Brush, Spinal	W. J. McLennan and F. F. Craddock	22483	28 Feb. ..	33	4 April.
Bucket. (See Dredge-bucket, Milking-bucket.)					
Buffing and abrading machine	S. W. Winslow	22572	20 March ..	36	18 April.*
Building-block, Partly glazed	R. O. Clark	22242	22 Dec., 1906	23	7 March.
Building-block moulding-machine	J. A. Ferguson	21207	1 June, 190	3	10 Jan.
Building-block, process of manufacture	Cork Asphalt, Limited	22119	7 Nov., 1906	7	24 Jan.
Building for totalisator	W. H. Macdougall	22522	7 March ..	36	18 April.*
Building, Sheet iron for	W. Katene	22544	14 March
Buildings, Steel framing for	A. H. and D. J. Byron.. .. .	22011	5 Nov., 1906	7	24 Jan.
Buoy. (See Breeches buoy.)					
Burner. (See Gas-burner, Incandescent burner.)					
Butter-box	T. B. Sutton	22257	29 Dec., 1906	7	24 Jan.
Butter-box	W. H. Stichling, A. W. Wilson, R. S. Overend, J. E. Paterson, and E. Masters	21099	5 May, 1906	23	7 March.
Butter-box, Composition for	A. J. J. Bolton	21230	30 May, 1906	18	21 Feb.
Cabinet and teaching-appliances	E. McFee	22088	21 Nov., 1906	7	24 Jan.
Cabinet. (See Washing-cabinet.)					
Cable-chain grip	E. N. Waters	22564	20 March
Calculating-machine	H. E. Parry	22226	20 Dec., 1906	7	24 Jan.
Calculating-protractor	A. H. Byron and R. R. Richmond	22356	25 Jan. ..	18	21 Feb.*
Calf and stock food	E. G. Mills	21231	30 May, 1906	23	7 March
Calf-food	E. M. Johnson	22311	14 Jan. ..	18	21 Feb.*
Can. (See Milk-weighing can, Milking-can.)					
Can-soldering machine	G. W. Berry	22345	23 Jan. ..	13	7 Feb.*
Candle-protector	B. F. H. Dawson	22326	17 Jan. ..	13	7 Feb.*
Carbonate of soda, Manufacture of	N. C. T. Harper	22117	27 Nov., 1906	23	7 March.
Carbonating beer	H. J. West and Co., Limited ..	22343	23 Jan. ..	18	21 Feb.
Carburetter for gas-engine	G. L. M. Dörwald	21194	31 May, 1905†	7	24 Jan.
Carburetted air, Production of	M. F. Mieville	22503	4 March ..	36	18 April.
Carburetter for lamp	F. W. Suter and C. Wayman ..	22507	4 March ..	36	18 April.
Carcase-brand	M. Belk	22272	14 March ..	27	21 March.*
Carrier. (See Egg-carrier, Fruit-carrier.)					
Casement-windows, Operating	T. Kolley	22451	21 Feb. ..	33	4 April.*
Cash-register	F. H. Trevellian	21166	17 May, 1906	13	7 Feb.
Castor	W. G. Mein and E. Gaminara ..	21007	18 April ..	3	10 Jan.
Castrating-tool	J. H. J. Bowater	22440	18 Feb.
Cattle, Pen and apparatus for slaughtering	A. T. Chodowski	22527	6 March ..	36	18 April.*
Centrifugal-machine	I. P. B. Knudsen	22551	13 March ..	36	18 April.
Centrifugal-machine distance piece	B. A. O. Prollius	22589	20 March
Centrifugal separator	C. F. Primmer	22255	28 Dec., 1906	13	7 Feb.*
Centrifugal separator	I. P. B. Knudsen	22552	13 March ..	36	18 April.
Chain-grate stokers, Links of	Babcock and Wilcox, Limited ..	22298	7 Jan. ..	13	7 Feb.
Chain-guard	H. Mackay	22561	20 March
Chair. (See School-seat.)					
Cheese-cutter	J. Eddey	22204	11 Dec., 1906	7	24 Jan.
Chilling and carbonating beer	H. J. West and Co., Limited ..	22343	23 Jan. ..	18	21 Feb.
Chilling beer	A. H. Rogers	22380	29 Jan.
Chocolate confections, Making	M. Robertson	22346	23 Jan. ..	18	21 Feb.
Churn, Dasher for	A. A. Adams, T. Sears, and W. F. Fair	21820	25 Sept., 1905†	13	7 Feb.
Cigarette-mouthpiece machine	British-American Tobacco Company, Limited	22342	23 Jan. ..	27	21 March.
Circular-saw guard	E. R. B. Daniel	22407	8 Feb. ..	23	7 March.*
Cleaner. (See Dredge-bucket cleaner, Flexible-tube cleaner, Rail-cleaner, Tobacco-pipe cleaner.)					
Cleaning hulls of ships	T. Stewart	22550	15 March
Clip-hook	G. S. Evans	22426	14 Feb. ..	33	4 April *
Clock. (See Electric clock.)					
Closet. (See Earth-closet.)					
Closure for hermetically sealed receptacles	E. S. Evelyn	21156	16 May, 1906	18	21 Feb.
Clothes-peg	J. Taucher	22260	2 Jan. ..	13	7 Feb.*
Clothing, Heat-producing	T. Morris	22442	16 Feb.
Clutching-device for communicating rotary motion	F. Bailey and F. H. Jackson ..	22313	15 Jan.
Coal, Continuous conveyers for	J. J. F. M. Smulders	22611	28 March

ALPHABETICAL LIST OF INVENTIONS—continued.

Invention.	Name.	Application.		Gazette.	
		No.	Date.	No.	Date.
Coal-discharging lighter	J. J. F. M. Smulders	22610	28 March
Cock. (See Tap or Cock.)					
Collapsible box	M. G. Wilson	22575	20 March
Collar and harness, Adjustable	S. J. Emery	21669	21 Aug., 1906	27	21 March.
Collar. (See Horse-collar.)					
Combustion-chamber of gas-engine	T. S. Humble	22251	27 Dec., 1906	13	7 Feb.
Commutator - connection. (See Electric connection.)					
Compound counting machine	H. E. Parry	22226	20 Dec., 1906	7	24 Jan.
Concave of threshing-machine, Wearing strip for	A. F. Campbell	20804	5 Mar., 1906	27	21 March.
Concentrator. (See Ore-concentrator.)					
Concrete-floors, Reinforcing	A. Hankinson	22576	21 March
Concrete-mixer	H. E. White	22602	27 March
Concrete slabs and pipes	P. B. Jagger	22482	10 Mar., 1906†
Concrete structures, Reinforced-Concrete. (See Ferro-concrete.)	W. C. Page and R. V. Anderson..	22556	19 March
Condenser, Jet or surface	La Société Anonyme Westinghouse	22480	28 Feb. ..	36	18 April.
Conduit for electric cables	E. W. Ackland	21808	18 Sept., 1906	18	21 Feb.
Conduit for electric conductors	A. E. Woodhouse	20843	14 Mar., 1906	13	7 Feb.
Conveyer	J. J. F. M. Smulders	22611	28 March
Cooking-vessel	T. Sutherland	22195	13 Dec., 1906	13	7 Feb.*
Cooler. (See Beer-cooler, Cream-cooler, Electric-motor cooler.)					
Cooling-chamber	J. Montgomery	22423	8 Feb. ..	33	4 April.*
Corrugated iron. (See also Sheet iron.)					
Corrugated-iron ridge-capping	W. H. Mence and W. R. Stewart	22475	28 Feb. ..	33	4 April.
Corrugating metal-sheets	G. B. Johnson	22316	15 Jan. ..	18	21 Feb.
Corselet. (See Spinal corselet.)					
Cot or stretcher	J. S. Plummer	22235	19 Dec., 1906	7	24 Jan.*
Coulter of plough, Skim-	D. Dickie and D. C. McMath ..	22308	11 Jan. ..	23	7 March.*
Counting-machine	H. E. Parry	22226	20 Dec., 1906	7	24 Jan.
Coupling. (See Shaft-coupling.)					
Cover. (See Drain-cover, Frying-pan cover, Horse-cover, Trap-cover.)					
Cow-spaying instrument	E. Bates	22499	1 March
Cow's-tail holder	J. W. Jensen	22379	31 Jan. ..	27	21 March.
Cradle	T. F. McGarva	22237	22 Dec., 1906	27	21 March.*
Cramp, Flooring and ceiling	H. V. Gazzard	20776	23 Feb., 1906	13	7 Feb.
Crank. (See Cycle-crank.)					
Cream-cooler	J. Peterson and J. Wearn ..	22615	26 March
Crushing. (See Ore-crushing.)					
Curtain or screen elevator	A. B. Johnson	22414	7 Feb. ..	27	21 March.*
Curtain-pole elevator, &c.	R. M., J. B., and A. Maunder ..	22383	1 Feb.
Cutter. (See Cheese-cutter, Kerosene pump and cutter.)					
Cutting and searing lambs' tails, Machine for	C. Cannell	20763	20 Feb., 1906	23	7 March.
Cyaniding process and apparatus	W. A. Merralls	22247	14 Feb. ..	27	21 March.
Cycle belt or gearing	A. J. Bergin	22450	2 July, 1906†
Cycle-crank	D. Mahoney	22303	11 Jan.
Cycle. (See also Bicycle.)					
Dairying purposes, Steamer for	H. H. Reimers	21823	21 Sept., 1906	3	10 Jan.
Dampness, Detecting, in wool, &c. (See Baled-goods indicator.)					
Darning-appliance	J. Burrows	22584	20 March
Dasher for churn	A. A. Adams, T. Sears, and W. F. Fair	21820	25 Sept., 1905†	13	7 Feb.
Decorticating fibres	D. E. Radclyffe	21993	31 Oct., 1906	27	21 March.
Detergent	W. E. Keys and R. Macpherson..	21515	16 Nov., 1905†	13	7 Feb.
Digger. (See Potato-digger.)					
Disc plough	W. G. Barger	22465	26 Feb. ..	36	18 April.
Disintegrating and mining machine	E. T. C. Firth	21064	28 April, 1906	23	7 March.
Distilling gum	A. Ashcroft and C. Richardson ..	22359	23 Jan. ..	18	21 Feb.*
Distributor. (See Fencing-wire distributor, Liquid-distributor, Sewage-distributor.)					
Door-holder	H. S. Marks	22223	20 Dec., 1906	13	7 Feb.*
Door or gate fastening	J. S. Kirkpatrick	22437	14 Feb. ..	27	21 March.*
Door, Revolving	C. E. Mugeridge and the Van Kannel Revolving Door Company, Limited	22300	8 Jan.
Door. (See Lift-door.)					
Drafting-gate for stock	T. E. Raleigh	22364	29 Jan. ..	13	7 Feb.*
Drain-cover	J. Smart	22322	17 Jan. ..	13	7 Feb.*
Drain-grate fastening	R. O. Clark	22245	22 Dec., 1906	7	24 Jan.
Drain-inlet	T. R. Christie	22390	2 Feb.
Draining-clothes	C. Jansen	22557	19 March
Drain-pipe, Field	R. M. Smith	22453	21 Feb.
Drain-pipe socket	A. and J. Burfoot	22404	7 Feb. ..	27	21 March.*
Draught-attachment for reaper-and-binder	J. Stewart	22435	15 Feb. ..	33	4 April.
Draught-gear for vehicles	G. Westinghouse	22281	8 Jan. ..	13	7 Feb.

ALPHABETICAL LIST OF INVENTIONS—continued.

Invention.	Name.	Application.		Gazette.	
		No.	Date.	No.	Date.
Dredge-bucket cleaner	W. E. Potts	22302	8 Jan.
Dredge. (See also Gold-dredge.)					
Dredge, Stone-shoot for	I. Stevenson and J. Cook	20735	13 Feb. ..	3	10 Jan.
Drill. (See Rock-drill.)					
Dropper. (See Fencing-dropper.)					
Drying, grinding, &c., apparatus	L. Rissmuller	21946	19 Oct., 1906	7	24 Jan.
Drying. (See Offal-drying.)					
Dumb-bells and clubs	F. Burks	21664	20 Aug., 1906	27	21 March.*
Dumb-bells and clubs	M. Juriss	22286	9 Jan.
Dust-excluder for open vessels	A. C. Raine	22216	19 Dec., 1906	23	7 March.*
Dynamo-connection. (See Electric connection.)					
Ear-marking pliers	A. S. Hudson	22487	28 Feb. ..	36	18 April.*
Earthenware block, Partly glazed	R. O. Clark	22242	22 Dec., 1906	23	7 March.
Earthenware pipe	R. O. Clark	22509	5 March
Earth-closet	C. M. Cruickshank	21945	16 Oct., 1906	13	7 Feb.*
Earthquake-proof building, Framing for	A. H. and D. J. Byron	22011	5 Nov., 1906	7	24 Jan.
Egg-beater	H. M. Crimp	20850	14 March ..	3	10 Jan.
Egg-carrier	W. Wilson and T. P. Burke	22271	5 Jan. ..	13	7 Feb.*
Elastic-fluid motor	J. C. Preston	22373	31 Jan.
Electric-alarm shop-mat	A. E. Moss	22492	25 Feb.
Electric bells, Operating	A. Morgan	22217	19 Dec., 1906	18	21 Feb.*
Electric-cable conduit	E. W. Ackland	21808	18 Sept., 1906	18	21 Feb.
Electric clock	A. G. Jackson	22388	5 Feb. ..	27	21 March.
Electric-conductor conduit	A. E. Woodhouse	20843	14 Mar., 1906	13	7 Feb.
Electric-connection system, alternate-current commutators	The British Westinghouse Electric and Manufacturing Company, Limited	22538	14 March ..	36	18 April.
Electric-connection system for dynamos	The British Westinghouse Electric and Manufacturing Company, Limited	22537	14 March ..	36	18 April.
Electric-connection system for dynamos	The British Westinghouse Electric and Manufacturing Company Limited	22539	14 March ..	36	18 April.
Electric-connection system for dynamos	The British Westinghouse Electric and Manufacturing Company, Limited	22540	14 March ..	36	18 April.
Electric-motor cooler	B. Bidwell	22309	14 Jan. ..	13	7 Feb.
Electric switch	R. Brown	22339	24 Jan., 1906†
Electric target	S. A. M. Rose	22266	3 Jan. ..	13	7 Feb.
Electricity, Detecting leakage of	J. W. Manley and Electric Safety Appliances Company, Limited	22252	27 Dec., 1906	13	7 Feb.
Elevator. (See Curtain or screen elevator, Window-blind elevator.)					
Engine. (See Explosive engine, Gas-engine, Hydrocarbon-engine, Internal-combustion engine, Oil-engine, Rotary engine.)					
Envelope-fastener	C. E. J. Wilkinson	22448	21 Feb.
Envelope-opener	J. B. Stebbing	22511	5 March
Equipments. (See Military equipments.)					
Excavating-apparatus	J. W. Harris	20949	4 April, 1906	27	21 March.
Explosive engine	H. V. Johansen	22101	20 Nov., 1906	7	24 Jan.*
Explosives, Manufacture of	Maganite Explosives Syndicate, Limited	21334	22 June, 1906	27	21 March.
Extinguisher. (See Gas-lamp lighter and extinguisher.)					
Extract. (See Meat-extract.)					
Fanlight, Operating	T. Rolley	22451	21 Feb.
Fastener. (See Boot-fastener, Envelope-fastener, Mail-bag fastener, Teat-cup-mouthpiece fastener, Wire-fastener.)					
Fastening. (See Door or gate fastening, Drain-grate fastening, Horse-cover fastening, Roof joint and fastening.)					
Fat and wool, Extracting, from hides	H. C. Becker	20849	14 March	7 24 Jan.
Feed-bag for horses, &c.	A. Schwartz	22405	7 Feb. ..	23	7 March.
Felly. (See Wheel-felly.)					
Fencing-dropper	A. Cowell and J. Phillips	22282	9 Jan. ..	13	7 Feb.*
Fencing-dropper	T. W. Coulthard	22306	12 Jan.
Fencing-dropper	G. E. Bunning	22476	28 Feb. ..	33	4 April.
Fencing-standard	R. Olds	22173	10 Dec., 1906	23	7 March.*
Fencing-standard	F. T. Boys	22049	13 Nov., 1906	13	7 Feb.
Fencing-standard	G. Hutchinson	22287	9 Jan. ..	13	7 Feb.*
Fencing-standard	A. P. F. and G. D. Watson	22496	1 March ..	33	4 April.
Fencing-wire distributor	T. O'Neil	22317	15 Jan. ..	13	7 Feb.*
Fencing-wire retainer, &c.	G. E. Bunning	22476	28 Feb. ..	33	4 April.
Fencing-wire twister	J. Lilley	22413	11 Feb.
Ferro-concrete buildings	A. H. and D. J. Byron	22011	5 Nov., 1906	7	24 Jan.
Ferro-concrete lateral reinforcements	F. A. Tregelles	21137	10 May, 1906	27	21 March.

ALPHABETICAL LIST OF INVENTIONS—continued.

Invention.	Name.	Application.		Gazette.	
		No.	Date.	No.	Date.
Fibres, Decorticating, degumming, and scutching	D. E. Radclyffe	21993	31 Oct., 1906	27	21 March.
Fibrous-roof joint	W. Baldwin	21716	29 Aug., 1906	13	7 Feb.
Field drain-pipe	R. M. Smith	22453	21 Feb.
File. (See Paper-file.)					
Filling bags	T. B. Brock	22376	31 Jan.	18	21 Feb.
Filter, Atmospheric	G. Ridgway	20819	8 March	7	24 Jan.
Filtering-hose	H. Rochfort	22598	23 March
Filtering slimes	C. Butters	22249	27 Dec., 1906	13	7 Feb.
Finger-ring, Preventing slipping of	H. Mayr	22409	9 Feb.	23	7 March.*
Firebar for furnace	W. G. Crosthwaite	22474	28 Feb.
Fire-grate and fuel-economiser	C. F. Wheeler	22520	6 March
Fire-grate, Revolving	H. J. Edwards	22360	24 Jan.
Fireproof building, Framing for	A. H. and D. J. Byron	22011	5 Nov., 1906	7	24 Jan.
Fireproof solution for fabrics ..	G. W. Wilkins	22582	22 March
Fireproof starch	H. Taylor	21209	26 May, 1906	7	24 Jan.
Fish-plate. (See Railway fish-plate.)					
Flags. (See Signalling-flags.)					
Flax, &c., Stripping and treating ..	A. L. J. Tait	20955	31 Mar., 1906	23	7 March.
Fleshings, Extracting fat and wool from	H. C. Becker	20849	14 Mar., 1906	7	24 Jan.
Flexible-tube cleaner	G. E. Churches	21146	15 May, 1906	27	21 March.
Flooring and ceiling cramp	H. V. Gazzard	20776	23 Feb., 1906	13	7 Feb.
Floors, Concrete, wire reinforcement for	A. Hankinson	22576	21 March
Flushing-apparatus	R. R. Woodcock	22239	22 Dec., 1906	23	7 March.*
Flushing-cistern	G. Saur	22419	13 Feb.
Folding-bedstead	G. Brennan	22063	15 Nov., 1906	13	7 Feb.
Food. (See Calf-food, Calf and stock food.)					
Food and tonic	H. Corbett	22323	17 Jan.	23	7 March.*
Foot-racing, Judging-machine for	A. Beaton	22466	26 Feb.	33	4 April.*
Franking and stamping letters ..	E. Moss	22510	5 March	33	4 April.*
Fruit carrier or punnet	S. A. Bradley	22194	13 Dec., 1906	13	7 Feb.*
Fruit-case	S. A. Bradley	22193	13 Dec., 1906	13	7 Feb.*
Fruit-tree protector	C. Harris and C. Todd	20808	6 Mar., 1906	18	21 Feb.
Frying-pan cover	C. E. Bettany	21866	3 Oct., 1906	23	7 March.
Fumes or gases, Drawing off	T. Warner and J. Kannuluik	22467	27 Feb.	33	4 April.*
Fumigator. (See Rabbit-fumigator.)					
Furnace, Firebar for	W. G. Crosthwaite	22474	28 Feb.
Furnace. (See Tire-furnace.)					
Furnace-plates	W. Wilkins and J. Nobbs	22416	12 Feb.
Game	J. E. Williams	22355	24 Jan.	18	21 Feb.
Game	H. A. Hudson	22397	6 Feb.	27	21 March.
Game. (See also Billiard-toy, &c.)					
Game, Advertising-	R. Love	22554	13 March
Garden-hoe	F. H. Jackson	21972	26 Oct., 1906	7	24 Jan.*
Gas-burner	A. Adcroft	21615	10 Aug., 1906	13	7 Feb.
Gas-burner	F. H. Frankland	22270	5 Jan.	27	21 March.*
Gas-burner	S. Kendall	22431	14 Feb.	33	4 April.*
Gas-burner	R. C. Gardiner	22477	28 Feb.
Gas-engine, Carburetter	G. L. M. Dörwald	21194	31 May, 1905†	7	24 Jan.
Gas. (See Acetylene gas, Hydrocarbon gas, &c.)					
Gas for illuminating, &c.	W. J. Dibdin and H. C. Woltereck	22366	29 Jan.
Gas-generator	J. R. Patterson	22497	2 March	33	4 April.*
Gas-lamp for inverted incandescent burner	A. S. Francis	22337	23 Jan.	18	21 Feb.
Gas-lamp lighter and extinguisher ..	H. H. Johnson and E. Moin	22314	15 Jan.	13	7 Feb.*
Gas water-heater	H. W. McClellan	21114	9 May, 1906	27	21 March.
Gate. (See Drafting-gate.)					
Gate or door fastening	J. S. Kirkpatrick	22437	14 Feb.	27	21 March.*
Gates, Opening and shutting	N. Olsen	22603	27 March
Gauge. (See Oil-engine gauge.)					
Gear. (See Reversing gear, Draught gear.)					
Generator. (See Acetylene-gas generator, Gas-generator.)					
Glazed block. (See Building-block.)					
Gold-dredge	J. H. Jones and W. Kane	20394	28 Nov., 1905	27	21 March.
Gold, Extracting, from sand and gravel	J. F. P. Berendsen	22269	4 Jan.
Gold-saving table. (See Shaking-table, &c.)	R. J. Turnbull	22198	10 Dec., 1906	27	21 March.
Gold, Separating	G. Moore	20929	30 March	3	10 Jan.
Goloshes	D. and F. W. Smith	22330	21 Jan.	23	7 March.
Grader. (See Potato-grader.)					
Grate for drains, &c., Fastening ..	R. O. Clark	22245	22 Dec., 1906	7	24 Jan.
Grate. (See Fire-grate.)					
Grinding, drying, and screening apparatus	L. Rissmuller	21946	19 Oct., 1906	7	24 Jan.
Grinding-pan. (See Ore-grinding pan.)					
Grindstone	J. Graham	22381	30 Jan.	18	21 Feb.*
Grip. (See Cable-chain grip.)					
Grooving-attachment, Boot-sewing machine	United Shoe Machinery Company	22571	20 March	36	18 April.*
Guard for circular saw	E. R. B. Daniel	22407	8 Feb.	23	7 March.
Gum-distilling process	A. Ashcroft and C. Richardson	22359	23 Jan.	18	21 Feb.*
Gum, Kauri, purifying, &c.	H. J. A. Pyke	22457	19 Feb.	33	4 April.*

ALPHABETICAL LIST OF INVENTIONS—continued.

Invention.	Name.	Application.		Gazette.	
		No.	Date.	No.	Date.
Hammock and tent	F. W. Hellberg	22394	4 Feb. ..	23	7 March.*
Handle. (See Axe-handle, Parcel-strap handle, &c.)					
Harness and collar combined	S. J. Emery	21669	21 Aug., 1906	27	21 March.
Harrow	J. Taylor	21923	17 Oct., 1906	7	24 Jan.
Harvester-binder, Apron for	J. A. Steele	22585	20 March
Harvester. (See Potato-harvester.)					
Harvesting-machine	C. G. Lehmann	22392	2 Feb. ..	18	21 Feb.*
Hat. (See Straw hat.)					
Haymaking-appliance	F. Sheaf	22290	9 Jan. ..	13	7 Feb.*
Heater. (See Water-heater.)					
Heating-purposes, Vessel for	A. H. Byron and R. R. Richmond	22439	18 Feb.
Heels, Rubber attachment to	J. Darnell	22248	27 Dec., 1906	18	21 Feb.
Heels, rubber, Securing	T. Lane	22459	21 Feb. ..	33	4 April.*
Hermetically sealed receptacles, Closure for	E. S. Evelyn	21156	16 May, 1906	18	21 Feb.
Hermetically sealing tins	G. Farquhar and R. North	22028	7 Nov., 1906	7	24 Jan.
Hide or skin measuring machine	A. W. Stone	22472	28 Feb. ..	33	4 April.*
Hobble	L. A. Pannell	22565	19 March
Hoe, Garden-	F. H. Jackson	21972	26 Oct., 1906	7	24 Jan.*
Holder. (See Cow's-tail holder, Door-holder.)					
Hook. (See Clip-hook, Link-lock hook.)					
Horse-collar	R. H. Carter	20772	24 Feb., 1906	23	7 March.
Horse-controller	J. H. Pollock	22325	19 Jan. ..	13	7 Feb.*
Horse-controlling bit, &c.	A. G. Harvey	21003	17 April, 1906	27	21 March.
Horse-cover fastening	A. Thompson	20933	29 Mar., 1906	18	21 Feb.
Horses kicking, Preventing	W. T. Burnip	22524	8 March
Horses, Automatically delivering food to	W. F. Dugins and H. Haggarty, jun.	22422	13 Feb. ..	33	4 April.*
Hose-darner	J. Burrows	22584	20 March
Hose. (See Filtering-hose.)					
Household-purchases indicator	A. J. Hutchinson	21634	15 Aug., 1906	23	7 March.*
Hydraulic vacuum-pump	G. F. Hutchinson	22408	8 Feb. ..	33	4 April.*
Hydrocarbon engine	L. Anderson	22215	18 Dec., 1906	27	21 March.
Hydrocarbon-gas production	A. Jack	22232	21 Dec., 1906	18	21 Feb.*
Hydrocarbon-gas production	A. J. Way	22429	14 Feb.	18 April.*
Hydrocarbon-gas production	J. R. Patterson	22497	2 March
Hydro-extractor	H. C. Becker	20849	14 Mar., 1906	7	24 Jan.
Ice-making machine	M. D. Wreathall	22421	13 Feb. ..	33	4 April.*
Ice-making machine	M. Audiffren and Société des Etablissements Singrun	22508	3 Mar., 1906†
Igniting-surface for matches	The Chemical Industrial Syndicate, Limited	22341	23 Jan. ..	18	21 Feb.
Illusion apparatus, Railway-	F. W. and W. C. Gifford	22493	25 Feb.
Incandescent burner, Gas-lamp for	A. S. Francis	22337	23 Jan. ..	18	21 Feb.
Incandescent petrol-burner	R. C. Gardiner	22477	28 Feb.
Incubator	J. J. Weaver	22263	2 Jan.
Indicator. (See Household-purchases indicator, Lathe-indicator, Office or door indicator, Speed-indicator, Ship's-progress indicator, &c.)					
Inflator. (See Tire-inflator.)					
Insole. (See Boot-insole.)					
Internal-combustion engine	T. S. Humble	22251	27 Dec., 1906	13	7 Feb.
Iron-ore treatment	F. Cotton	22614	28 March
Jack. (See Lifting-jack.)					
Jar-closure	E. S. Evelyn	21156	16 May, 1906	18	21 Feb.
Jar or bottle	J. Sharpe	22619	27 March
Jet or surface condenser	La Société Anonyme Westinghouse	22480	28 Feb.
Joint. (See Pipe-joint, Rail-joint, Roof-joint, Weatherboard-joint.)					
Judging-machine for foot-runners	A. Beaton	22466	26 Feb. ..	33	4 April.*
Kauri-gum, Distilling	A. Ashcroft and C. Richardson	22359	23 Jan. ..	18	21 Feb.*
Kauri-gum, Purifying and solidifying	H. J. A. Pyke	22457	19 Feb. ..	33	4 April.
Kerosene pump and cutter	E. Brandt	22278	8 Jan.
Kicking, Preventing horses from	W. T. Burnip	22524	8 March
Knee-protector	W. R. Walker	22528	5 March	18 April.*
Ladder, Extension-	H. Mote	22391	5 Feb. ..	23	7 March.
Ladder, Extension-	L., H., and L. Mote	22521	20 Aug., 1906	33	4 April.
Lambs' tails, Cutting and searing	C. Cannell	20763	20 Feb., 1906	23	7 March.
Lamp. (See Acetylene-gas lamp, Gas-lamp, Safety-lamp, Signal-lamp.)					
Lasting-machine for boots	A. Parsons, J. A. Morton, and J. C. and B. Wright	22386	5 Feb. ..	23	7 March.
Lathe-chuck	E. T. Coppell	22596	23 March
Lathe-indicator	W. H. Waycott and W. Wilson	22395	6 Feb. ..	23	7 March.
Lathe, Replacing callipers on	E. T. Coppell	22597	23 March

ALPHABETICAL LIST OF INVENTIONS—continued.

Invention.	Name.	Application.		Gazette.	
		No.	Date.	No.	Date.
Laths, Sheet-metal	T. W. Macintosh	22452	21 Feb.
Lawn-mower	The Kendrick and Hill Manufacturing Company	22579	21 March
Lid for cans, jars, &c.	A. C. Raine	22216	16 Dec., 1906	23	7 March.*
Lift, Cellar.	F. W. Barton	22607	25 March
Lift-doors, Opening and closing	A. A. Walters	22577	21 March
Lifting-jack	J. R. Henderson and W. G. Thomas	22454	21 Feb. ..	33	4 April.*
Lighter. (See Coal-discharging lighter.)					
Lighting and extinguishing lamps	H. H. Johnston and E. Moin ..	22314	15 Jan. ..	13	7 Feb.*
Link-lock hook	G. S. Evans	22425	14 Feb. ..	33	4 April.*
Links of chain-grate stoker	Babcock and Wilcox, Limited	22298	7 Jan. ..	13	7 Feb.
Linotype-machine	W. E. Hughes	22178	10 Dec., 1906	7	24 Jan.
Linotype-machine	W. E. Hughes	22486	28 Feb.
Liquid-distributor	F. W. Stoddart	21889	5 Oct., 1906	7	24 Jan.
Liquid-distributor	J. Hines and T. Coleman	22338	23 Jan. ..	23	7 March.
Liquid from container, Forcing	A. S. Ford	20743	15 Feb. ..	3	10 Jan.
Liquids, Recovering solids from	Merrell-Soule Company	21794	15 Sept., 1906	27	21 March.
Liquids, Extracting solids from	P. Bevenot and E. De Neveu ..	22432	13 Feb.
Liquids, Separating, from ores.. .. .	W. A. Caldecott	22513	6 March ..	33	4 April.*
Lock. (See Link-lock, Nut-lock.)					
Luggage-strap handle	T. W. Witt	21078	3 May, 1906	18	21 Feb.
Magnetic separator	J. T. Hunter	22262	2 Jan. ..	13	7 Feb.
Magnetic separator	T. J. Lovett	22385	5 Feb. ..	23	7 March.
Mail-bag fastener	F. E. Gard, A. R. Polley, and L. C. R. Jones	22447	21 Feb. ..	36	18 April.
Marine propeller	F. De Lautour	22441	15 Feb.
Marine turbine	J. S. White and Co., Limited, E. C. Carnt, and A. Forster	22150	24 March† ..	7	24 Jan.
Marker. (See Book-marker.)					
Mat. (See Shop-alarm mat.)					
Matches, Manufacture of	The Chemical Industrial Syndicate Limited	22341	23 Jan. ..	18	21 Feb.
Mathematical tables, Displaying	J. T. Keane	22221	20 Dec., 1906	7	24 Jan.*
Mattress and bedstead	J. F. Stephenson	20612	23 Jan., 1906	13	7 Feb.
Mattress and bedstead	J. Whitehouse	22580	21 March
Mattress and bedstead	D. McKenzie	22618	25 March
Measured-charge delivering-device	W. McEachern	22396	6 Feb. ..	27	21 March.*
Measuring machine, Skin-	A. W. Stone	22472	28 Feb. ..	33	4 April.*
Meat-extract, Preparing	V. T. J. Abraham	22445	20 Feb.
Metal-sheets, Corrugating	G. B. Johnson	22316	15 Jan. ..	18	21 Feb.
Metals, Extracting	H. Rochfort	22415	9 Feb. ..	33	4 April.*
Military equipments	A. J. Davey	22479	18 Dec., 1906†	33	4 April.
Milk-pail	W. George	22340	23 Jan. ..	18	21 Feb.
Milk pail and stool	W. C. Quinell	20695	10 Feb., 1906	7	24 Jan.
Milk-sampler	F. W. Smith	22259	2 Jan. ..	13	7 Feb.*
Milk-separator	C. F. Primmer	22255	28 Dec., 1906	13	7 Feb.*
Milk-strainer	D. Bower	20841	12 March ..	3	10 Jan.
Milk, Treatment of	Società di Esportazione Polenghi Lombardo and E. Soncini	22471	28 Feb. ..	26	18 April.
Milk-weighing can	J. Mackie and A. G. Huggins ..	22247	27 Dec., 1906	13	7 Feb.*
Milking-apparatus	W. H. Blackham	22536	13 March
Milking-bail	A. J. Webster	22224	20 Dec., 1906	7	24 Jan.*
Milking-bucket	S. E. Bell	22534	13 March ..	36	18 April.
Milking-can	A. Storrie	22581	22 March
Milking-machine	C. Bristow	22253	27 Dec., ..	7	24 Jan.*
Milking-machine	F. Raven	22351	24 Jan. ..	13	7 Feb.*
Milking-machine	Aktiebolaget Separator	22514	6 March
Milking-machine	H. W. Gilling	22560	19 March
Milking-machine	A. G. Andin	22609	28 March
Milking-machine teat-cup	A. Small	20999	11 April, 1906	18	21 Feb.
Milking-machine, vaccum apparatus	W. H. Blackham	22535	13 March
Mill. (See Threshing-mill.)					
Mixer. (See Concrete-mixer.)					
Mixing and disintegrating machine	E. T. C. Firth	21064	28 April, 1906	23	7 March.
Moisture-indicator. (See Baled-goods indicator.)					
Motor. (See Elastic-fluid motor, Electric motor, Water-motor, Wave-motor.)					
Motor-vehicle brake	E. H. Featon	22331	19 Jan. ..	27	21 March.*
Motor-vehicle wheel	E. Westwood	22512	5 March ..	33	4 April.*
Moulding-machine for building-blocks	J. A. Ferguson	21207	1 June, 1906	3	10 Jan.
Mouthpiece-machine. (See Cigarette-mouthpiece machine.)					
Mower. (See Lawn-mower.)					
Mowing-machine	J. E. Holland	22461	25 Feb. ..	33	4 April.*
Multi-colour self-inking stamp-pad	W. T. Wingfield and C. W. Hermann	21678	22 Aug., 1906	18	21 Feb.
Multiple plough	G. Gibbins	22375	31 Jan. ..	23	7 March.
Music-leaf turner	R. E. Reed	22498	27 Feb. ..	33	4 April.*
Music stand, Band-	A. S. Sargison, A. J. Debenham, and C. F. A. Cambridge	21004	17 April, 1906	33	4 April.

ALPHABETICAL LIST OF INVENTIONS—continued.

Invention.	Name.	Application.		Gazette.	
		No.	Date.	No.	Date.
Non-refillable bottle	C. J. H. Payne	21182	19 May, 1906	27	21 March.
Non-refillable bottle	J. H. Smith	22387	5 Feb. .. .	33	4 April.*
Non-refillable bottle	H. W. E. Josling	22428	14 Feb., 1906†
Nosebag. (See Feed-bag.)					
Nut-lock	E. S. Baldwin and H. H. Rayward	22285	9 Jan. .. .	13	7 Feb.
Nut-lock	W. Rundle and T. E. Lund ..	21955	24 Oct., 1906	23	7 March.
Offal-drying apparatus	F. T. Boys	21183	23 May, 1906	23	7 March.
Office or door indicator	T. Hawes	22384	4 Feb. .. .	18	21 Feb.*
Oil-engine gauge	R. B. Topp	22333	23 Jan. .. .	18	21 Feb.*
Ore classifying or vanning	G. Ullrich	20846	14 Mar., 1906	33	4 April.
Ore concentrator	E. Deister	21175	21 May, 1906	3	10 Jan.
Ore concentrator	G. E. Woodbury	22605	25 March
Ore-crushing machine	C. B. C. Storey and J. A. Wauchop	21765	11 Sept., 1906	7	24 Jan.
Ore-grinding pan	H. Wilson	21232	30 May, 1906	27	21 March.
Ores, Magnetic separation of	G. Ullrich	20847	14 Mar., 1906	33	4 April.
Ore-treatment	F. Cotton	21876	4 Oct., 1906	23	7 March.
Ore-products, Separating liquids from	W. A. Caldecott	22513	6 March .. .	33	4 April.*
Ores. (See also Sulphide ores, Iron-ores, Zinc-ores.)					
Oven	K. Gillingham	22590	20 March
Overshoes. (See Goloshes.)					
Pad. (See Stamp-pad.)					
Packing-bags	T. Whitehorn	22334	23 Jan. .. .	18	21 Feb.*
Packing-device for shafting	C. A. Parsons	20806	5 Mar., 1906	23	7 March.
Pail. (See Milk-pail.)					
Paint. (See Pigment.)					
Pan. (See Frying-pan, Ore-grinding pan.)					
Paper-bag machine	W. Fricker	22180	10 Dec., 1906	7	24 Jan.
Paper-file	H. A. Adams	22599	26 March
Paper-hanging machine	G. E. Partridge and J. McLoughlin	21775	11 March .. .	27	21 March.*
Parcel or luggage strap handle	T. W. Witt	21078	3 May, 1906	18	21 Feb.
Pea-shelling machine	F. Staines	20390	29 Nov., 1905	23	7 March.
Pedal-strap	C. A. Kidd	22573	20 March
Peeler. (See Potato-peeler, Vegetable-peeler.)					
Peg. (See Tent-peg, Clothes-peg.)					
Petrol-gas burner, Incandescent	R. C. Gardiner	22477	28 Feb.
Pigment, Feeding brushes with	A. J. Hall	21666	18 Aug., 1906	3	10 Jan.
Pigment, Obtaining, from sulphide ores	G. C. De Witt	22315	15 Jan. .. .	18	21 Feb.*
Pipe, concrete, Manufacture of	P. B. Jagger	22482	10 Mar., 1906†
Pipe-joint	A. G. Brandram	22280	8 Jan. .. .	13	7 Feb.
Pipe-joint	A. H. Byron and R. R. Richmond	22291	9 Jan. .. .	13	7 Feb.*
Pipe-socket	A. and J. Burfoot	22404	7 Feb. .. .	27	21 March.*
Pipe-lines, Water-motor for	A. McCorkindale	22328	10 Jan. .. .	23	7 March.
Pipe, Stave-built	W. Stocks	22398	6 Feb. .. .	23	7 March.
Pipe. (See Drain-pipe, Earthenware pipe, Tobacco-pipe.)					
Planter. (See Potato-planter.)					
Plaster	W. C. Bradshaw	22344	23 Jan. .. .	13	7 Feb.*
Plastering walls and ceilings	S. Blackman	22106	23 Nov., 1906	7	24 Jan.*
Pleasure-boat window	J. R. Jillett	22273	7 Jan.
Pliers. (See Ear-marking pliers.)					
Plough	T. Keats	21777	12 Sept., 1906	13	7 Feb.*
Plough	G. E. Bretherton	22460	21 Feb.
Plough, Multiple	G. Gibbins	22375	31 Jan. .. .	23	7 March.
Plough, Skim-coulter of	D. Dickie and D. C. McMath ..	22308	11 Jan. .. .	23	7 March.*
Pouch of wearing-apparel	A. Gray and D. G. Thornton ..	22410	9 Feb.
Points, Tramway, &c.	W. S. Gillies	20793	1 Mar., 1906	7	24 Jan.
Points, Tramway, &c.	J. W. Wood and C. J. Ward ..	22478	27 Feb. .. .	36	18 April.*
Pole. (See Curtain-pole, Trolley-pole.)					
Portable telephone and telegraph	F. W. Medhurst	21079	3 May, 1906	23	7 March.
Potato-blight exterminator	S. B. Corrigan	20617	23 Jan., 1906	13	7 Feb.
Potato-digger	A. Reid and J. McCluggage ..	22530	11 March .. .	36	18 April.*
Potato digger and grader	H. Daniels	21127	8 May, 1906	23	7 March.
Potato-grader	J. Gascard and R. Shimmen ..	22349	23 Jan. .. .	13	7 Feb.*
Potato-harvester	H. R. Lees	22347	23 Jan. .. .	18	21 Feb.
Potato-peeler	W. Platt	22254	28 Dec., 1906	13	7 Feb.
Potato planter and hiller	H. Daniels	22494	27 Feb. .. .	33	4 April.*
Pounding-up machine	United Shoe Machinery Company	22570	36	18 April.*
Press. (See Baling-press, Punching-press.)					
Pressure, Treating substances under	E. B. Baker	22186	12 Dec., 1906	7	24 Jan.
Printing-block	W. Bell and H. B. Bell	22095	21 Nov., 1906	13	7 Feb.
Printing-machine	Linotype and Machinery, Limited	22569	20 March
Propeller	G. Reiser	22434	18 Feb. .. .	23	7 March.*
Propeller	F. De Lautour	22441	15 Feb.
Propeller. (See also Screw propeller.)					
Propelling steam-vessels	W. C. Bradshaw	22320	17 Jan. .. .	7	24 Jan.*

ALPHABETICAL LIST OF INVENTIONS—continued.

Invention.	Name.	Application.		Gazette.	
		No.	Date.	No.	Date.
Protector. (See Candle-protector, Fruit-tree protector, Knee-protector, Tire-protector.)					
Protractor, Calculating.	A. H. Byron and R. R. Richmond	22356	25 Jan.	18	21 Feb.*
Pulley. (See Snatch-pulley, Speed-pulley, &c.)					
Pump	J. J. Gilday	21163	17 May, 1906	7	24 Jan.
Pump. (See Hydraulic Vacuum-pump, Kerosene-pump, Rotary pump, &c.)					
Pump, Connection for pneumatic	P. L. Smith	22307	14 Jan.	18	21 Feb.
Punching-press, Dividing-table for	J. Aivaz	22354	24 Jan.		
Puncture-preventing device	H. Parsons	22412	8 Feb.		
Puncture-sealing compound and device	R. H. Lucas	22264	3 Jan.		
Punnet or fruit carrier	S. A. Bradley	22194	13 Dec., 1906	13	7 Feb.*
Rabbit-fumigator	A. Le Blanc	22265	3 Jan.		
Rabbit-trapping contrivance	C. C. Bullock	22353	24 Jan.	18	21 Feb.
Racehorse-controller	J. H. Pollock	22325	19 Jan.	13	7 Feb.*
Rail-cleaner	H. Quartier	20936	2 April, 1906	13	7 Feb.
Rail-cleaner, Suction	H. Quartier	22267	3 Jan.	27	21 March.*
Rail-joint	E. N. Waters	22485	28 Feb.		
Railway-brake	J. W. Cloud	21769	26 Mar., 1906†	3	10 Jan.
Railway fish-plate	G. T. Wilson and H. Downs	22024	7 Nov., 1906	18	21 Feb.*
Ramie, rhea, and other fibres, Treating	D. E. Radclyffe	21993	31 Oct., 1906	27	21 March.
Range-finder	F. H. Lampen	22595	25 March		
Range. Oven of cooking	K. Gillingham	22590	20 March		
Reaper-and-binder draught attachment	J. Stewart	22435	15 Feb.	33	4 April.
Refrigerating-machine	M. Audiffren and Société des Etablissements Singrun	22508	3 Mar., 1906†		
Registering-device for turnstile	Checkogram, Limited	22470	28 Feb.	33	4 April.*
Reinforced concrete	W. C. Page and R. V. Anderson	22556	19 March		
Reservoir-brush	A. J. Hall	21666	18 Aug., 1906	3	10 Jan.
Reversing-gear	Gies Gear Company	22174	10 Dec., 1906	7	24 Jan.
Revolving grate	H. J. Edwards	22360	24 Jan.		
Ridge-capping	W. H. Mence and W. R. Stewart	22475	28 Feb.	33	4 April.
Rifle-sight	R. E. Reardon	22506	4 March		
Ring. (See Finger-ring.)					
Road-making block, Manufacture of	Cork Asphalt, Limited	22119	27 Nov., 1906	7	24 Jan.
Road-sweeper	E. S. Slee and P. Tremayne	22612	28 March		
Roads, Liquid-distributor for	J. Hines and T. Coleman	22338	23 Jan.	23	7 March.
Rock-drill	A. E. Thomas	20853	14 March	3	10 Jan.
Rollers, Machinery	R. R. Douglas	22621	28 March		
Roof joint and fastening	W. Baldwin	21716	29 Aug., 1906	13	7 Feb.
Rotary engine	J. Delehanty	20852	14 March	3	10 Jan.
Rotary engine	A. R. Dietz, T. R. Ricketts and F. H. Cook	22403	6 Feb.	27	21 March.
Rotary engine	W. Jamieson	22604	26 March		
Rotary motion, Clutching-device for communicating	F. Bailey and F. H. Jackson	22313	15 Jan.		
Rotary pump and turbine	E. S. G. Rees	22588	19 March		
Rotary shaking-table	R. J. Turnbull	22198	10 Dec., 1906	27	21 March.
Rubber attachment to heels	J. Darnell	22248	27 Dec., 1906	18	21 Feb.
Rubber heel, Securing, to boot	T. Lane	22459	21 Feb.	33	4 April.*
Safety-lamp and carburetter	F. W. Suter and C. Waymen	22507	4 March	36	18 April.
Sampler. (See Milk-sampler.)					
Sand-blast apparatus	International Sand Blast Company	22606	25 March		
Sash. (See Window-sash.)					
Saw. (See Circular saw.)					
Scaffolding-bracket	F. Parker and B. T. Higgins	22305	9 Jan.	18	21 Feb.*
Scales for weighing sheep	C. Cooper	22182	12 Dec., 1906	7	24 Jan.
Scarifier	A. J. Hall	22424	11 Feb.		
School-seat	A. Crichton and W. Williams	22613	28 March		
Screen. (See Sifting-screen.)					
Screen or curtain elevator	A. B. Johnson	22414	7 Feb.	27	21 March.*
Screening, drying, and grinding apparatus	L. Rissmuller	21946	19 Oct., 1906	7	24 Jan.
Scutching fibres, &c.	D. E. Radclyffe	21993	31 Oct., 1906	27	21 March.
Screw-cutting lathe indicator	W. H. Waycott and W. Wilson	22395	6 Feb.	23	7 March.
Screw propeller	G. Mackaness and J. Barnes	22312	15 Jan.	18	21 Feb.
Sealing tins hermetically	G. Farquhar and R. North	22028	7 Nov., 1906	7	24 Jan.
Searing lambs' tails	C. Camell	20763	20 Feb., 1906	23	7 March.
Seat. (See School-seat, Vehicle-seat, &c.)					
Seed-sower	C. Bristow	21273	7 June, 1906	18	21 Feb.
Seed-sower	G. Hutchinson	22436	18 Feb.	33	4 April.*
Seed-sower	A. Todd	22547	12 March		
Seed-sower	G. Hutchinson	22562	20 March		
Seed sower, Turnip-	D. Murchison	22289	9 Jan.	13	7 Feb.*
Separator. (See Centrifugal separator, Magnetic separator, Milk-separator, &c.)					
Sewage-distributor	F. W. Stoddart	21889	5 Oct., 1906	7	24 Jan.
Sewage-treatment	J. Mitchell	21363	28 June, 1906	23	7 March.
Sewage-treatment	A. I. Joseph	22533	13 March		
Sewer. (See also Yard-sink.)					

ALPHABETICAL LIST OF INVENTIONS—continued.

Invention.	Name.	Application.		Gazette.	
		No.	Date.	No.	Date.
Sewing-machine	W. T. J. Auckram	22417	12 Feb. ..	33	4 April.*
Sewing-machine	A. H. Byron and R. R. Richmond	22438	18 Feb. ..	33	4 April.*
Sewing-machine. (See Boot-sewing machine, Shoe-sewing machine, Sole-sewing machine, &c.)					
Shaft-coupling for steam-vessels, &c. ..	A. H. Byron and R. R. Richmond	22357	25 Jan. ..	18	21 Feb.*
Shaft-packing device	C. A. Parsons	20806	5 Mar., 1906	23	7 March.
Shaft-tug	J. P. Horner	22620	28 March ..		
Shaking-table	R. J. Turnbull	22198	10 Dec., 1906	27	21 March.
Shearing-machine. (See Sheep-shearing machine.)					
Shears. (See Sheep-shears.)					
Sheep-fence, Sliding	J. Hamilton	21088	28 April, 1906	33	4 April.
Sheep-race	M. Fry	22196	13 Dec., 1906	7	24 Jan.
Sheep-shears	J. C. Preston	22374	31 Jan. ..		
Sheep-shearing machine	W. Silver	22399	6 Feb. ..	23	7 March.
Sheep-weighing machine	T. and J. Bowrey	22519	6 March ..	36	18 April.*
Sheep-weighing scales	C. Cooper	22182	12 Dec., 1906	7	24 Jan.
Sheet iron for building	W. Katene	22544	14 March ..		
Sheet-metal laths	T. W. Macintosh	22452	21 Feb. ..		
Shelling peas	F. Staines	20390	29 Nov., 1905	23	7 March.
Ship's hull, Cleaning	T. Stewart	22550	15 March ..		
Ship's-progress indicator	T. Whittle and G. G. Turri	22283	9 Jan. ..	13	7 Feb.
Shoe-sewing machine	United Shoe Machinery Company	22288	9 Jan. ..	13	7 Feb.*
Shop-alarm mat	A. E. Moss	22492	25 Feb. ..		
Sifting-screen	R. Williams	20689	9 Feb., 1906	7	24 Jan.
Signal-lamp	A. H. Byron and R. R. Richmond	22274	7 Jan. ..	18	21 Feb.*
Signalling-apparatus	International Telegraphic Call Company	21008	18 April ..	3	10 Jan.
Signalling-flags	F. H. Lampen	22558	19 March ..		
Sink. (See Yard-sink.)					
Siphon	H. Corbett	22369	30 Jan. ..	23	7 March.*
Skidding-preventing device	H. Parsons	22412	8 Feb. ..		
Skim-coulter	D. Dickie and D. C. McMath	22308	11 Jan. ..	23	7 March.*
Skim-milk, Treating	Società di Esportazione Polenghi Lombardo and E. Soncini	22471	28 Feb. ..	36	18 April.
Skin or hide measuring machine	A. W. Stone	22472	28 Feb. ..	33	4 April.*
Skylight	T. R. Christie	22212	14 Dec., 1906	7	24 Jan.
Skylight	T. R. Christie	22593	22 March ..		
Slaughtering pen and apparatus	A. T. Chadowski	22527	6 March ..	36	18 April.*
Slimes-filter	C. Butters	22249	27 Dec., 1906	13	7 Feb.
Slimes-treatment	C. E. D. Usher	22292	7 Jan. ..	13	7 Feb.
Slimes-treatment	H. Rochfort	22415	9 Feb. ..		
Small arms. (See Breech-loading small arms.)					
Snatch pulley or block	C. J. Tuck	20704	12 Feb., 1906	27	21 March.
Soap. (See also Detergent.)					
Sock for boots	E. Sprey	22443	16 Feb. ..	33	4 April.*
Socket. (See Pipe-socket.)					
Soda. (See Carbonate of soda.)					
Soldering-machine	T. W. McDonald	22295	10 Jan. ..	13	7 Feb.*
Soldering-machine	H. N. Bell	22532	4 March ..	36	18 April.*
Soldering machine, Can-	G. W. Berry	22345	23 Jan. ..	13	7 Feb.*
Soldering tins, Hermetically	G. Farquhar and R. North	22028	7 Nov., 1906	7	24 Jan.
Sole. (See also Boot-sole.)					
Sole-sewing machine	H. J. Best	22229	20 Dec., 1906	13	7 Feb.*
Solids, Extracting, from fluids	P. Bevenot and E. De Neveu	22432	13 Feb. ..		
Solids, Recovering, from liquids	Merrell-Soule Company	21794	15 Sep., 1906	27	21 March.
Solids, Recovering, from liquids	W. A. Caldecott	22513	6 March ..	33	4 April.*
Sower. (See Seed-sower, Turnip-seed sower.)					
Spacer for type-setting	T. M. Copeland	22541	11 March ..	36	18 April.*
Spaying-instrument. (See Cow-spaying instrument.)					
Speed-indicator	T. J. Gilfedder	22463	25 Feb. ..	33	4 April.*
Speed-pulley	A. F. Golding and E. Campbell	22105	24 Nov., 1906	13	7 Feb.*
Spinal brush	W. J. McLennan and F. F. Craddock	22403	28 Feb. ..	33	4 April.
Spinal corselet	W. R. Gover	22393	2 Feb. ..		
Spoon	B. W. White	22327	19 Jan. ..	13	7 Feb.*
Spoon	C. J. Tuck	22402	6 Feb. ..		
Spout, Attaching, to "chaffey" of threshing-mill	J. Hughes	20798	1 Mar., 1906	13	7 Feb.
Stamp-affixer	F. W. Munt	22233	21 Dec., 1906	7	24 Jan.*
Stamp-pad, Self-inking multi-colour	W. T. Wingfield and C. W. Hermann	21678	22 Aug., 1906	18	21 Feb.
Stamping and franking letters Standard. (See Fencing-standard.)	E. Moss	22510	5 March ..	33	4 April.*
Standard, Securing wire to	A. W. Burbury	21038	26 April ..	3	10 Jan.
Starch-powder, Fireproof	H. Taylor	21209	26 May, 1906	7	24 Jan.
Stave-built pipes	W. Stocks	22398	6 Feb. ..	23	7 March.
Steam-turbine, Shaft-packing device for	C. A. Parsons	20806	5 Mar., 1906	23	7 March.

ALPHABETICAL LIST OF INVENTIONS—continued.

Invention.	Name.	Application.		Gazette.	
		No.	Date.	No.	Date.
Steam-vessel, Shafting for	A. H. Byron and R. R. Richmond	22357	25 Jan. ..	18	21 Feb.*
Steamer for dairying, &c.	H. H. Reimers	21823	21 Sept. ..	3	10 Jan.
Steamer and strainer	G. D. Lumsden	22600	26 March
Steel-framing for buildings	A. H. and D. J. Byron ..	22011	5 Nov., 1906	7	24 Jan.
Steel-manufacture, Pneumatic process ..	A. Tropenas	22157	20 Feb., 1906†	18	21 Feb.
Step-ladder, Extension	H. Mote	22391	5 Feb. ..	23	7 March.
Step-ladder, Extension	L., H., and L. Mote ..	22521	20 Aug., 1906	33	4 April.
Stereotypes, Finishing, &c.	W. E. Hughes	22566	20 March
Stereotypes, Finishing, &c.	W. E. Hughes	22567	20 March
Stirrup	H. W. Downing	22502	4 March ..	36	18 April.
Stokers. (See Chain-grate stokers.)					
Stone-shoot for dredge	I. Stevenson and J. Cook	20735	13 Feb. ..	3	10 Jan.
Stool. (See Milk pail and stool.)					
Stopper. (See Bottle-stopper.)					
Straw-baling press, Block for	E. E. Woodley and C. J. Brogden	22462	25 Feb. ..	33	4 April.*
Strainer. (See Milk-strainer, Wire gripper and strainer.)					
Strainer and steamer for cooking	G. D. Lumsden	22600	26 March
Straw hat	H. P. Pearson	22568	20 March
Street-watering method	F. Cooper	22294	8 Jan. ..	18	21 Feb.*
Stretcher	J. S. Plummer	22235	19 Dec., 1906	7	24 Jan.*
Stripper. (See Flax, &c., stripper.)					
Suction-cleaner for tramways	H. Quertier	22267	3 Jan. ..	27	21 March.*
Sulphide, Extracting zinc from its	T. J. Heskett	22241	21 Dec., 1906	13	7 Feb.*
Sulphide ores, Obtaining pigment from ..	G. C. De Witt	22315	15 Jan. ..	18	21 Feb.*
Sulphide ores, Treatment of	F. Cotton	21876	4 Oct., 1906	23	7 March.
Surface-condenser	La Société Anonyme Westinghouse	22480	28 Feb.
Suspension-bridge	A. Falkner	22549	15 March ..	36	18 April.*
Swath-turner	F. Sheaf	22290	9 Jan. ..	13	7 Feb.*
Sweeper. (See Road-sweeper.)					
Switch. (See Electric switch.)					
Table. (See Billiard-table, Rotary shaking-table.)					
Tail-cutting appliance, Lamb's-	C. Cannell	20763	20 Feb., 1906	23	7 March.
Tail-holder. (See Cow's-tail holder.)					
Tap or cock	J. H. and P. Walker ..	22592	21 March
Tap. (See Water-tap.)					
Target for rifle range	G. Newman	22523	7 March
Target. (See Electrical target.)					
Target-repairer	J. Whiting	22310	14 Jan. ..	27	21 March.*
Teaching-appliance and cabinet	E. McFee	22088	21 Nov., 1906	7	24 Jan.
Tea-making apparatus	C. E. Woledge	22293	8 Jan. ..	13	7 Feb.*
Teat-cup	A. Smaill	20999	11 April, 1906	18	21 Feb.
Teat-cup	A. Gillies	22473	28 Feb. ..	33	4 April.*
Teat-cup-mouthpiece fastener	F. E. McLean	22231	18 Dec., 1906	7	24 Jan.*
Teat-cup-mouthpiece retainer	J. Higginson, jun. ..	22350	23 Jan. ..	13	7 Feb.*
Teat-cup mouthpiece	A. Smaill	21809	18 Sept., 1906	33	4 April.
Telegraphy	A. C. Baronio	22504	4 March ..	36	18 April.
Telephone	C. H. Harris	22529	9 March
Telephone and telegraph, Portable	F. W. Medhurst	21079	3 May, 1906	23	7 March.
Telephone, Wireless	F. J. McCarty	21101	8 May, 1906	27	21 March.
Telephony	J. and H. M. Copeland..	22586	23 March
Telephony	J. and H. M. Copeland..	22587	23 March
Tent and hammock	F. W. Hellberg	22394	4 Feb. ..	23	7 March.*
Tent-peg	W. Stone	22301	8 Jan. ..	18	21 Feb.*
Threshing-machine, Wearing-strip for concave	A. F. Campbell	20804	5 Mar., 1906	27	21 March.
Threshing-mill, Attaching spout to "chaffey" of	J. Hughes	20798	1 Mar., 1906	13	7 Feb.
Tickets, Issuing, registering, &c.	Checkogram, Limited ..	22455	21 Feb.
Tickets, Issuing, registering, &c.	Checkogram, Limited ..	22456	21 Feb. ..	36	18 April.
Tickets, Issuing, registering, &c.	A. E. Young and E. G. Kerr	22578	21 March
Timber-joint. (See Weatherboarding.)					
Tin-seal	E. S. Evelyn	21156	16 May, 1906	18	21 Feb.
Tin-sealing machine	G. Farquhar and R. North	22028	7 Nov., 1906	7	24 Jan.
Tire	J. Lowden, jun.	22329	21 Jan. ..	27	21 March.*
Tire	J. T. Meredith	22377	31 Jan. ..	23	7 March.*
Tire	The Malcolm Fraser Wheel Syndicate, Limited	22261	2 Jan.
Tire	D. W. McLean	22563	20 March
Tire	J. Thomson	22583	13 March
Tire, Elastic	A. W. Carpenter	22446	20 Feb. ..	33	4 April.
Tire-furnace	H. Mander and W. E. Chamberlain	22276	7 Jan. ..	13	7 Feb.*
Tire-inflator	F. J. Arthur	22321	17 Jan. ..	13	7 Feb.*
Tire-inflator	B. G. C. Stephens and B. G. Mahoney	22574	20 March
Tire, Motor-vehicle	E. Westwood	22512	5 March ..	33	4 April.*
Tire, Motor-vehicle	A. Rowland	22601	26 March
Tire, Pneumatic	J. E. Henry	22400	6 Feb.
Tire protector or shield	J. Gordon	22543	14 March

ALPHABETICAL LIST OF INVENTIONS—continued.

Invention.	Name.	Application.		Gazette.	
		No.	Date.	No.	Date.
Tire-valve connection	P. L. Smith	22307	14 Jan. ..	18	21 Feb.
Tobacco-pipe	P. A. Kenna	20662	31 st Jan., 1906	13	7 Feb.
Tobacco-pipe cleaner	R. E. G. Burroughs	22401	6 th Feb. ..	23	7 March.
Tobacco-pipe cleaner, Spiral-plug	D. E. Amesbury	22449	20 Feb. ..	23	7 March.*
Tobacco-pipe, Windguard for	R. K. Sinclair	22279	8 Jan.
Toilet-cabinet. (See Washing-cabinet.)					
Tonic and food	H. Corbett	22323	17 Jan. ..	23	7 March.*
Totalisator-building	W. H. Macdougall	22522	7 March ..	36	18 April.*
Totalisator-mechanism	A. G. Jackson	22389	5 Feb. ..	18	21 Feb.*
Toy. (See Billiard-toy.)					
Tram-rail cleaner	H. Quertier	20936	2 April, 1906	17	7 Feb.
Tram-rail cleaner	H. Quertier	22267	3 Jan. ..	23	21 March.
Tramway-points	W. S. Gillies	20793	1 Mar., 1906	7	24 Jan.
Tramway-points, Shifting, into position	J. W. Wood and C. J. Ward	22478	27 Feb. ..	36	18 April.*
Tramway-track cleaner	T. E. Taylor	21142	15 May, 1906	33	4 April.
Trap. (See Animal-trap, Rabbit-trap.)					
Trap or drain cover	J. Smart	22322	17 Jan. ..	13	7 Feb.*
Trays, Composition for making	A. J. Godrell	21230	30 May, 1906	18	21 Feb.
Tree-protector. (See Fruit-tree protector.)					
Trolley-head	N. I. Gooder	22515	6 March ..	36	18 April.*
Trolley-pole	C. J. Johnson	22299	7 Jan. ..	13	7 Feb.*
Trolley-pole	R. S. C. Brown	22406	8 Feb. ..	18	21 Feb.*
Trolley-pole	C. J. Johnson	22531	12 March ..	33	4 April.*
Tube-cleaner. (See Flexible-tube cleaner, &c.)					
Tug. (See Shaft-tug.)					
Turbine. (See also Marine turbine.)					
Turbine	G. Rischmuller	22505	4 March ..	36	18 April.
Turbine and rotary pump	E. S. G. Rees	22588	19 March
Turbine, Packing-device for shafting of	C. A. Parsons	20806	5 Mar., 1906	23	7 March.
Turbine, Reversible	J. Molas and J. A. Smeeton	22372	31 Jan. ..	18	21 Feb.
Turnip-seed sower	D. Murchison	22289	9 Jan. ..	13	7 Feb.*
Turnstile registering-device	Checkogram, Limited	22470	28 Feb. ..	33	4 April.*
Twisting wires	J. Lilley	22413	11 Feb. ..	33	4 April.*
Type-setting, Spacer for	T. M. Copeland	22541	11 March ..	36	18 April.*
Typewriter	The Imperial Writing Machine Company, Limited	22518	6 March ..	36	18 April.
Tyre. (See Tire.)					
Urinals, Drawing off gases, &c., from	T. Warner and J. Kamuluik	22467	27 Feb ..	33	4 April.*
Umbrella	R. B. Williams	22591	21 March
Vacuum milking-machine. (See Milking-machine.)					
Vacuum-pump. (See Hydraulic vacuum-pump.)					
Vegetable-peeler	W. Platt	22254	28 Dec., 1906	13	7 Feb.
Vehicle-body	W. G. Windham	22297	7 Jan. ..	13	7 Feb.
Vehicle-seat	J. B. Leydon	21969	25 Oct., 1906	7	24 Jan.
Vehicle-seat	C. Martin	22370	31 Jan. ..	33	4 April.
Vehicle-spring equaliser	P. J. McGinn	22516	6 March
Vehicle-wheel rim	H. Pataud	22517	6 March
Vehicles, Draft-gear for	G. Westinghouse	22281	8 Jan. ..	13	7 Feb.
Vessels, Propelling	W. C. Bradshaw	22320	17 Jan. ..	7	24 Jan.*
Wall-paper, Hanging	G. E. Partridge and J. McLoughlin	21775	11 March ..	27	21 March.*
Walls and ceilings, Plastering	S. Blackman	22106	23 Nov., 1906	7	24 Jan.*
Walls, Construction of	W. E. Adams	22365	29 Jan. ..	18	21 Feb.
Walls, Construction of	W. E. Adams	22481	28 Feb. ..	33	4 April.
Walls, Construction of	W. C. Page and R. V. Anderson	22556	19 March
Washboard	F. G. Philpott	22332	23 Jan. ..	18	21 Feb.
Washboard	R. M. Maunder	22382	1 Feb. ..	23	7 March.*
Washing and draining clothes	C. Jansen	22557	19 March
Washing-cabinet	J. Murdoch	22559	19 March
Water-boiling and tea-making apparatus	C. E. Woledge	22293	8 Jan. ..	13	7 Feb.*
Water-heater	J. D. Jackson	22228	20 Dec., 1906	7	24 Jan.*
Water-heater	A. A. Carson	22230	20 Dec., 1906	7	24 Jan.*
Water-heater	J. D. Jackson	22277	8 Jan. ..	13	7 Feb.*
Water-heater, Gas	H. W. McClellan	21114	9 May, 1906	27	21 March.
Water-motor for supplying pipe-lines	A. McCorkindale	22328	10 Jan. ..	23	7 March.
Water-tap	O. K. Carlson	20900	23 Mar., 1906	27	21 March.
Watering. (See Street-watering.)					
Wave-motor	W. Snee	22176	10 Dec., 1906	27	21 March.
Wave-motor	W. E. Hughes	22336	23 Jan., 1907	..	21 Feb.
Wearing-strip for threshing-machine concave	A. F. Campbell	20804	5 Mar., 1906	27	21 March.
Weatherboarding	J. O. Galbally	22234	21 Dec., 1906	7	24 Jan.
Weatherboard-joint	W. Evans and D. Y. Cunningham	22362	28 Jan.
Weeding-machine	J. A. Rollo	22324	18 Jan. ..	18	21 Feb.*
Weighing. (See Milk-weighing, Sheep-weighing.)					
Wheel-felly	H. Pataud	22284	9 Jan. ..	13	7 Feb.
Wheel, Motor-vehicle	E. Westwood	22512	5 March ..	33	4 April.*

ALPHABETICAL LIST OF INVENTIONS *continued.*

Invention.	Name.	Application.		Gazette.	
		No.	Date.	No.	Date.
Wheel rim, Vehicle-	H. Pataud	22517	6 March 36	36	18 April.
Wind-guard for pipe	R. K. Sinclair	22279	8 Jan.
Windmills, Operating	W. McCallum	22464	25 Feb.	33	4 April.*
Window	T. Roberts	22319	17 Jan.	18	21 Feb.*
Window-blind elevator, &c.	R. M., J. B., and A. Maunder	22383	1 Feb.
Window, Operating	T. Rolley	22451	21 Feb.	33	4 April.*
Window-sash adjuster	T. H. Wilson	22296	7 Jan.
Window-sashweights	G. T., T. M., and J. K. Muir	22526	5 March 36	36	18 April.
Window. (See also Pleasure-boat window.)					
Wire cheese-cutter	J. Edey	22204	11 Dec., 1906	7	24 Jan.
Wire. (See Fencing-wire.)					
Wire-fastener	A. W. Burbury	21038	26 April	3	10 Jan.
Wire gripper and strainer	J. Hanslow	22246	27 Dec., 1906	13	7 Feb.
Wire mattress. (See Mattress.)					
Wire-strainer	F. Raper and W. J. P. Dixon	22430	14 Feb.	33	4 April.*
Wire-twister	J. Lilley	22413	11 Feb.	33	4 April.*
Wireless telephone	F. J. McCarty	21101	8 May, 1906	27	21 March.
Wood, Treatment of	E. W. Barton-Wright and Q. Marimo	22171	7 Dec., 1906	7	24 Jan.
Wool, Detecting moisture in. (See Baled-goods indicator.)					
Yard-gully and level inlet	T. R. Christie	22390	2 Feb.
Yard sink or gully	R. O. Clark	22243	22 Dec., 1906	7	24 Jan.
Zinc, Extracting, from its sulphide	T. J. Heskett	22241	21 Dec., 1906	13	7 Feb.*
Zinc, Treatment of ores containing	F. Cotton	21876	4 Oct., 1906	23	7 March.

List of Applicants for Registration of Trade Marks.

ALPHABETICAL list of applicants for registration of trade marks for quarter ending 31st March, 1907 (including also applications lodged prior to but gazetted during such quarter).

† Denotes a prior date under section 106 of "The Patents, Designs, and Trades Marks Act, 1889."

Name.	Address.	Class.	Application.		Gazette.	
			No.	Date.	No.	Date.
Ackermann, A. S. E., and another	London, England	13	6518	28 Feb.	23	7 March.
Æolian Company, The	New York, U.S.A.	9	6536	14 March	27	21 March.
Aerators, Limited	London, England	6	6506	26 Feb.	23	7 March.
Agricultural and Pastoral Food Company, Limited, The	Wellington, N.Z.	42	6549	27 March	33	4 April.
Aktiebolaget Baltic Separator	Stockholm, Sweden	7	6503, 4	21 Feb.
Allport, R., and another	Hobart, Tas.	14	6542	22 March	33	4 April.
Allport, R., and Co. (See R. Allport and T. Normoyle.)						
Angus, G., and Co., Limited	Newcastle-on-Tyne, England	40	6425, 6	15 Jan.	23	7 March.
Ashby, Bergh, and Co.	Christchurch, N.Z.	12	6495	19 Feb.	33	4 April.
Barber, J. W.	Newton, U.S.A.	50	6500	20 Feb.	23	7 March.
Barclay, S., and another	Auckland, N.Z.	3	6164	10 Sept., 1906	18	21 Feb.
Barrett Manufacturing Company	New York, U.S.A.	50	6440	24 Jan.	13	7 Feb.
Bates, Sise, and Co.	Dunedin, N.Z.	42	6492-4	15 Feb.	18	21 Feb.
Begg, John	Balmoral, Scotland	43	6533	13 March	27	21 March.
Benjamin, D., and Co.	Dunedin, N.Z.	48	6414	10 Jan.	13	7 Feb.
Best Light Company, The	Canton, U.S.A.	13	6521	4 March
Bon Ami Company, The	New York, U.S.A.	50	6526	6 March	27	21 March.
Booth, J.	Birmingham, England	13	6402	2 Jan.
Booth, S., and Co. (See J. Booth.)						
Brown, H., and Co.	Oamaru, N.Z.	22	6434	19 Jan.	13	7 Feb.
Bryden Horse-shoe Company	Catasanqua, U.S.A.	13	6537	14 March
Cable-link Agency	Auckland, N.Z.	50	6529	11 March	36	18 April.
Cailler, Limited, F. L.	Broc., Switzerland	42	6531, 2	13 March	36	18 April.
Castell. (See Von Faber-Castell.)						
Chapman, H. Z.	Bluff, N.Z.	42	6527	9 March
Chassaing and Cie	Paris, France	42	6424	14 Jan.
Christensen, H. A.	Taihape, N.Z.	3	6446	28 Jan.	13	7 Feb.
Clarkson, J. B., Limited	Palmerston North, N.Z.	13, 22, 37, 40	6442-5	25 Jan.	13	7 Feb.
Collins, Bros., and Co., Limited	Auckland, N.Z.	39	6421	12 Jan.	7	24 Jan.
Colombo Tea Company, The. (See W. A. Grieve, No 6550.)						

ALPHABETICAL LIST OF APPLICANTS FOR REGISTRATION OF TRADE MARKS—continued.

Name.	Address.	Class.	Application.		Gazette.	
			No.	Date.	No.	Date.
Colonial Ammunition Company, Limited	Auckland, N.Z.	19	6548	26 March ..	33	4 April.
Co-operative Egg and Poultry Company, Limited	Auckland, N.Z.	42	6428	17 Jan. ..	23	7 March.
Cox, J. M.	Sydney, N.S.W. ..	3	6412	9 Jan. ..	7	24 Jan.
Cronin, J. J.	Wellington, N.Z. ..	42	6406, 7	5 Jan. ..	7	24 Jan.
Desmazures, A. C. G. J.	Noumea, New Caledonia	1	6413	9 Jan. ..	7	24 Jan.
Drake and Co., J.	Auckland, N.Z. ..	43	6419	11 Jan.
Elkington and Co., Limited	Birmingham, England ..	14	6534, 5	13 March ..	27	21 March.
English and Colonial Patents and Trading Company, Limited	Wellington, N.Z. ..	1	6540	19 March
Eureka Consumption Cure. (See J. M. Cox.)						
Faber, A. W. (See O. Von Faber-Castell.)						
Fry, J. S., and Sons, Limited	Bristol, England ..	42	6396, 7	28 Dec., 1906	7	24 Jan.
Gandy Belting Company, The	Baltimore, U.S.A. ..	25	6122	15 Aug., 1906	27	21 March.
Gelle Frères. (See Lecaron Fils.)						
Gillette Safety Razor Company	Boston, U.S.A. ..	12	6183	1 June, 1906†	3	10 Jan.
Gollin and Co. Proprietary, Limited	Wellington, N.Z. ..	1, 2, 4, 5, 17, 38, 42	6510-6	27 Feb. ..	23	7 March.
Gotch, M.	Auckland, N.Z. ..	42	6519, 20	2 March ..	27	21 March.
Green and Colebrook, Limited	Ngaruawahia, N.Z. ..	6, 7, 10, 12, 37, 38	6457-60, 6462, 3	6 Feb., 1907	18	21 Feb.
Green and Colebrook, Limited	Ngaruawahia, N.Z. ..	19	6461	6 Feb.
Green, T. H., and Co.	Christchurch, N.Z. ..	47	6373	6 Dec., 1906	13	7 Feb.
Grieve, W. A.	Dunedin, N.Z. ..	42	6550	27 March ..	36	18 April.
Griffiths, E., and Co.	New Plymouth, N.Z. ..	42	6528	9 March ..	27	21 March.
Hall, T. B., and Co., Limited	Liverpool, England ..	43	6530	13 March ..	27	21 March.
Hardwick and Friedman	Christchurch, N.Z. ..	14	6538	16 March ..	33	4 April.
Hean, G. W.	Christchurch, N.Z. ..	3	6408	7 Jan. ..	7	24 Jan.
Henderson, C., and another	Auckland, N.Z. ..	3	6164	10 Sept., 1906	18	21 Feb.
Henderson and Barclay. (See C. Henderson and S. Barclay.)						
Hisey Dental Manufacturing Company, The	St. Louis, U.S.A. ..	3	6524	4 March ..	27	21 March.
Hudson, R. S. (See R. W. Hudson.)						
Hudson, R. W.	Liverpool and West Bromwich, England	47, 48	6435	21 Jan. ..	13	7 Feb.
Ibbotson Bros., and Co., Limited	Sheffield, England ..	5, 6, 12, 13	6305-8	30 Oct., 1906	18	21 Feb.
Kessler and Co., Limited	Bradford, England ..	24	6437	23 Jan. ..	13	7 Feb.
Ladbrook, H. A.	Invercargill, N.Z. ..	22	6427	17 Jan. ..	7	24 Jan.
Larus and Brother Company	Richmond, U.S.A. ..	45	6465, 7	6 Feb. ..	18	21 Feb.
Larus and Brother Company	Richmond, U.S.A. ..	45	6466	6 Feb.
Lecaron Fils (Lecaron Sons)	Paris, France ..	48	6423	14 Jan. ..	23	7 March.
Lever Bros., Limited	Balmain, N.S.W. ..	47, 48	5873, 4	4 April, 1906	27	21 March.
Lever Bros., Limited	Balmain, N.S.W. ..	3	6551-2	28 March ..	36	18 April.
Lever Bros., Limited	Balmain, N.S.W. ..	3	6552	28 March
Linolite Company, The. (See A. S. E. Ackermann and R. L. Matthews.)						
Lipton, Limited	London, Eng., Colombo, Ceylon, and Calcutta, India	42	6469-71	13 Feb.
Lucas, R. H.	Melbourne, Vic. ..	50	6405	5 Jan. ..	7	24 Jan.
Lundberg, A. P., G. C., and P. A.	London, Eng. ..	16	6491	14 Feb. ..	18	21 Feb.
Lundberg, A. P., and Sons. (See A. P., G. C., and P. A. Lundberg.)						
Lyons, J., and Co., Limited	London, Eng. ..	43	6543	23 March ..	33	4 April.
Lysaght, J., Limited	Bristol, Eng. ..	13	6453, 5	2 Feb. ..	13	7 Feb.
Lysaght, J., Limited	Bristol, Eng. ..	13	6454	2 Feb. ..	27	21 March.
Machen, C., and Hudson	Liverpool, Eng. ..	43	5480	23 Aug. 1905	7	24 Jan.
Marshall (Glasgow), Limited	Glasgow, Scotland ..	42	6400, 1	2 Jan. ..	7	24 Jan.
Matthews, R. L., and another	London, Eng. ..	13	6518	28 Feb. ..	23	7 March.
Merck, E.	Darmstadt, Germany ..	3	6525	6 March ..	33	4 April.
Miller, N.	Masterton, N.Z. ..	2	6404	4 Jan.
Monmouthshire Steel and Tinplate Company, Limited	Pontymister, Eng. ..	5	6409, 10	9 Jan.
Monnet, J. G., et oie	Cognac, France ..	43	6422	14 Jan. ..	13	7 Feb.
Naline, A.	Saint Denis, France ..	3	6441	24 Jan. ..	13	7 Feb.
Neill and Co., Limited	Christchurch, N.Z. ..	50	6501	20 Feb. ..	23	7 March.
Neill and Co., Limited	Christchurch, N.Z. ..	50	6505	23 Feb. ..	23	7 March.
Normoyle, T., and another	Hobart, Tas. ..	14	6542	22 March ..	33	4 April.
Orr and Co., Limited, J. B. (See The Silicate Paint Company.)						

ALPHABETICAL LIST OF APPLICANTS FOR REGISTRATION OF TRADE MARKS—continued.

Name.	Address.	Class.	Application.		Gazette.	
			No.	Date.	No.	Date.
Paling, W. H., and Co., Limited ..	Sydney, N.S.W. ..	9	6502	21 Feb.
Paterson and Co., A. S. ..	Wellington, N.Z. ..	42	6539	19 March ..	33	4 April.
Peace- W. K., and Co., Limited ..	Sheffield, Eng. ..	5, 6, 12,	6285-7	17 Oct., 1906	18	21 Feb.
		13				
Phillips, G., and Sons ..	London, Eng. ..	45	5903, 6	17 April, 1906	27	21 March.
Plant Company, T. G. ..	Boston, U.S.A. ..	38	6439	23 Jan.
Polson, R. S. ..	Wellington, N.Z. ..	3	6450	29 Jan. ..	13	7 Feb.
Postum Cereal Company, Limited ..	Battle Creek, U.S.A. ..	42	6541	20 March
Quinnell, W. C. ..	Wellington, N.Z. ..	2	6420	11 Jan. ..	7	24 Jan.
Resch's, Limited ..	Redfern, N.S.W. ..	43, 44	6507, 8	26 Feb.
Ridley and Son ..	Christchurch, N.Z. ..	42	5722	12 Jan., 1906	23	7 March.
Roneo, Limited ..	London, Eng. ..	39	5696	28 Dec., 1905	13	7 Feb.
Ross, N. ..	Berwick, N.Z. ..	6	6433	19 Jan. ..	13	7 Feb.
Schmidt, P. L. ..	Elberfeld, Germany ..	12	6429	17 Jan.
Schreiber and Co. ..	Melbourne, Vic. ..	42, 44	6321, 2	2 Nov., 1906	7	24 Jan.
Seddon, W. ..	Auckland, N.Z. ..	3	6418	11 Jan. ..	13	7 Feb.
Senior, C. A. ..	Onehunga, N.Z. ..	39	6456	14 Feb. ..	18	21 Feb.
Silicate Paint Company, The ..	London, Eng. ..	1	6438	23 Jan.
Simmonds and Osborne ..	Wellington, N.Z. ..	43	6509	27 Feb.
Simmonds and Osborne ..	Wellington, N.Z. ..	16	6517	28 Feb. ..	23	7 March.
Smeeton, H. M., Limited ..	Auckland, N.Z. ..	42	6496	20 Feb.
Société des Propriétaires vinicoles de Cognac. (See J. G. Monnet, et cie.)						
Sonac and Co. (See J. G. Monnet, et cie.)						
Standard Tool Company, The ..	Cleveland, U.S.A. ..	12	6411	9 Jan. ..	7	24 Jan.
Standard Paint Company, The ..	New York, U.S.A. ..	39	6374	7 Dec., 1906	13	7 Feb.
Stavanger Preserving Company ..	Stavanger, Norway ..	42	6027	26 June, 1906	13	7 Feb.
Sydney Soap and Candle Company, Limited, The	Sydney, N.S.W. ..	35	6430, 1	17 Jan. ..	23	7 March.
Thomson and Co. ..	Invercargill, N.Z. ..	44	6448	28 Jan. ..	18	21 Feb.
Tonkinson, R. S., and Co. ..	Dunedin, N.Z. ..	6	6447	28 Jan. ..	13	7 Feb.
Tyree, A., and Co., Limited ..	Christchurch, N.Z. ..	38	6386	20 Dec., 1906	7	24 Jan.
Union Oil, Soap, and Candle Company, Limited, The	Auckland, N.Z. ..	47	6415	10 Jan. ..	7	24 Jan.
Vacuum Oil Company ..	Rochester, U.S.A. ..	47	6544-6	25 March ..	33	4 April.
Van Veen, Reid, and Co. ..	Auckland, N.Z. ..	42	6468	7 Feb. ..	18	21 Feb.
Von Faber-Castell, O. ..	Stein, Germany ..	39	6522, 3	4 March ..	27	21 March.
Ward, B. H. ..	Picton, N.Z. ..	42	6452	30 Jan. ..	18	21 Feb.
Wardette and Co. (See B. H. Ward.)						
Warnock Bros. ..	Auckland, N.Z. ..	37, 47	6497, 8	20 Feb. ..	23	7 March.
Watkins, Jameson, Pim, and Co., Li- mited	Dublin, Ireland ..	43	6490	14 Feb.
Watson, J. E., and Co., Limited ..	Invercargill, N.Z. ..	42	6432	27 Dec., 1906	7	24 Jan.
Watt, J. R. ..	Christchurch, N.Z. ..	50	6403	2 Jan. ..	27	21 March.
Welch, Margetson, and Co. ..	London, Eng. ..	38	6547	26 March
Wellington Animal Hospital and School of Farriery. (See W. C. Quinnell.)						
Wheeler and Wilson Manufacturing Company	Bridgeport, U.S.A. ..	6	6416, 7	10 Jan. ..	7	24 Jan.
Whittome, Stevenson, and Co., Limited	Auckland, N.Z. ..	42	6344	28 Nov., 1906	7	24 Jan.
Whittome, Stevenson, and Co., Limited	Auckland, N.Z. ..	42	6350	22 Nov., 1906	27	21 March.
Wilkinson, Heywood, and Clark, Li- mited	London, Eng., and Mel- bourne, Vic. ..	1	6472, 5, 8, 81, 4, 7	13 Feb. ..	18	21 Feb.
Wilkinson, Heywood, and Clark, Li- mited	London, Eng., and Mel- bourne, Vic. ..	4	6473, 6, 9, 82, 5, 8	13 Feb. ..	18	21 Feb.
Wilkinson, Heywood, and Clark, Li- mited	London, Eng., and Mel- bourne, Vic. ..	47	6474, 7, 80, 3, 6, 9	13 Feb. ..	18	21 Feb.
Wilson, G. R. ..	Christchurch, N.Z. ..	48	6451	29 Jan. ..	27	21 March.
Wilson, G. R. ..	Christchurch, N.Z. ..	38	6554	28 March ..	36	18 April.

List of Applicants for Registration of Designs.

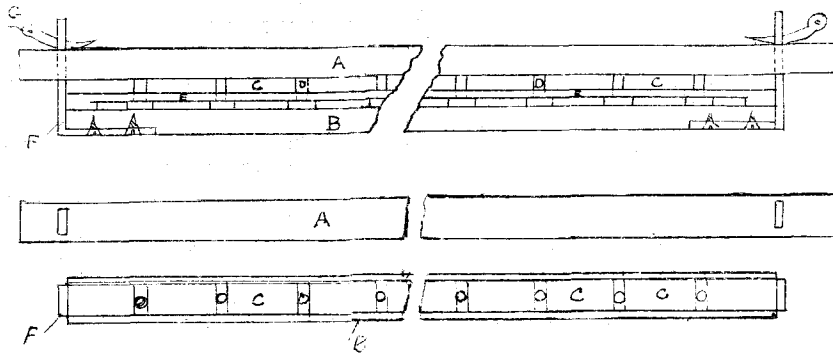
A LPHABETICAL list of applicants for registration of designs for quarter ending 31st March, 1907.

Name.	Address.	Class.	Application.		Gazette.	
			No.	Date.	No.	Date.
Adcroft, A. J.	Wellington, N.Z. ..	1	315	23 Feb. ..	23	7 March.
Koch, I. A.	Hawera, N.Z. ..	5	316	28 Feb. ..	23	7 March.
Marsh, F., and another	Wellington, N.Z. ..	3	314	23 Jan. ..	13	7 Feb.
Noone and Trevarthen	Auckland, N.Z. ..	3	318	26 March ..	33	4 April.
Trevethick, J., and another	Auckland, N.Z. ..	3	317	12 March ..	27	21 March.
White and Marsh. (See J. White and F. Marsh.)						
White, J., and another	Wellington, N.Z. ..	3	314	23 Jan. ..	13	7 Feb.
Williams, J. E.	Greymouth, N.Z. ..	3	313	21 Jan. ..	13	7 Feb.

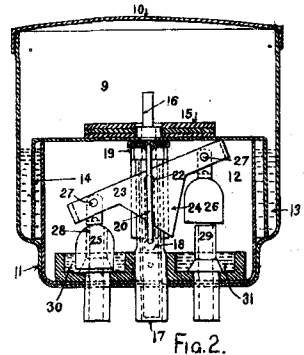
By Authority: JOHN MACKAY, Government Printer, Wellington.

ILLUSTRATIONS OF INVENTIONS.

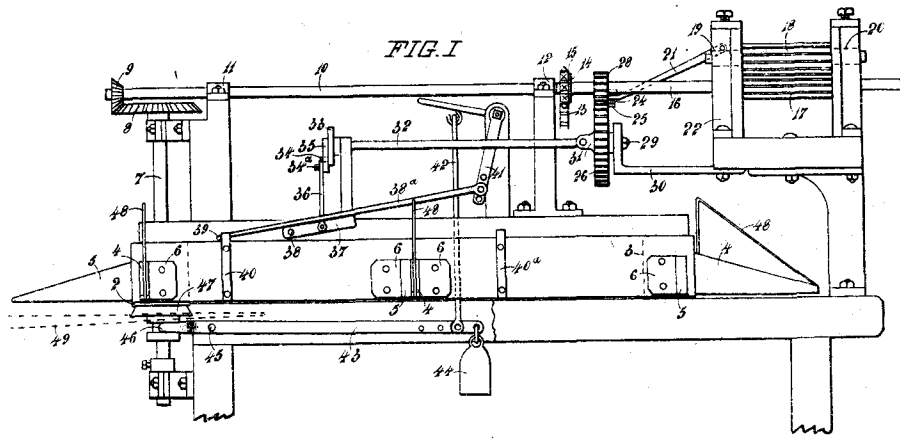
[These illustrations refer to the complete specifications accepted, and advertised in this *Gazette*.]



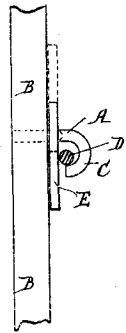
20970
Clarke. Lath-affixer.



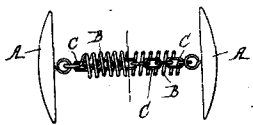
20993
Robson. Lamp-lighter, &c.



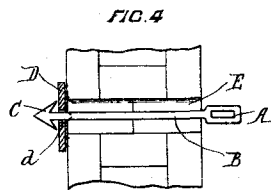
21243
Jones. Flax-treating Apparatus.



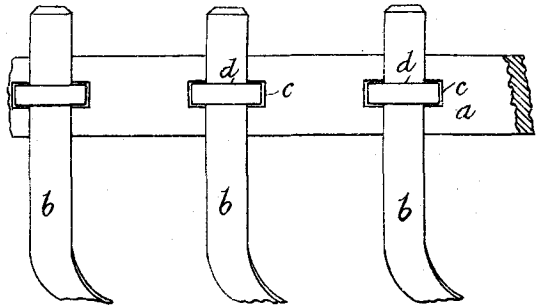
21318
Irvine. Fence-wire Fastener.



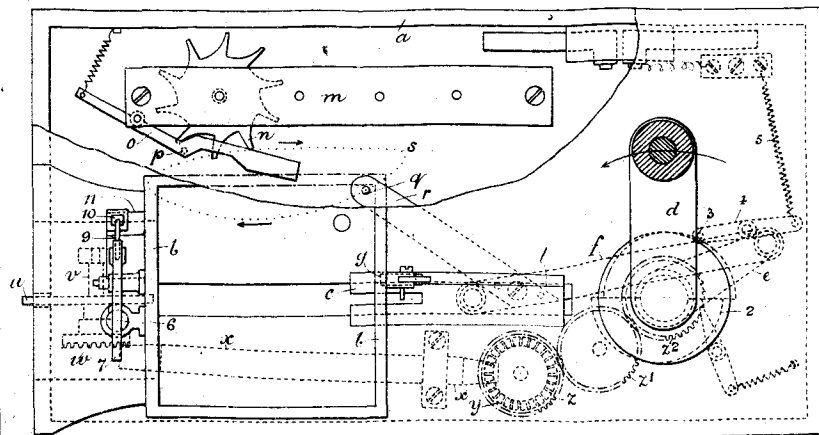
21248
Galt. Sleeve-link.



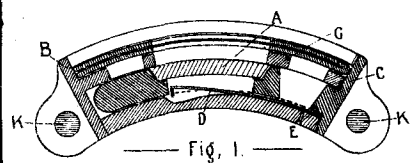
21261
Lucas. Scaffolding-bracket.



21921
Old. Clamping-device.



22456
Checkogram Limited. Ticket-issuing Apparatus. (Stockall.)



22447
Gard, Polley, and Jones. Mail-bag Fastener.

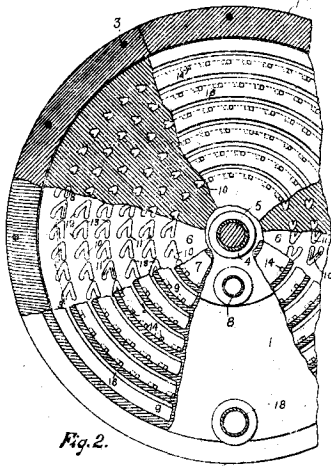


Fig. 2.

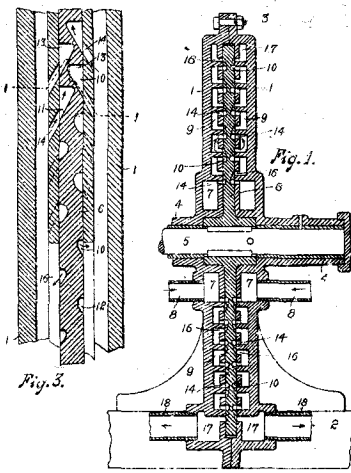
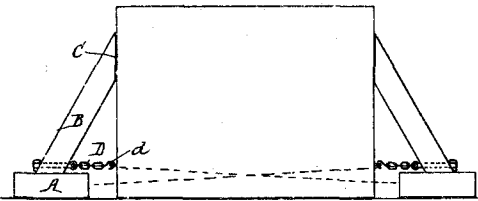


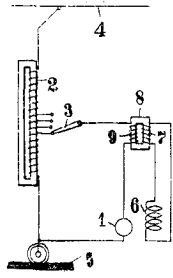
Fig. 1.

Fig. 3.

22505
Rischmuller. Turbine.



21851
Dawson. Oil-engine Check.



22537
British Westinghouse Electric and Manufacturing Co., Limited. Dynamo-connection. (Lamme.)

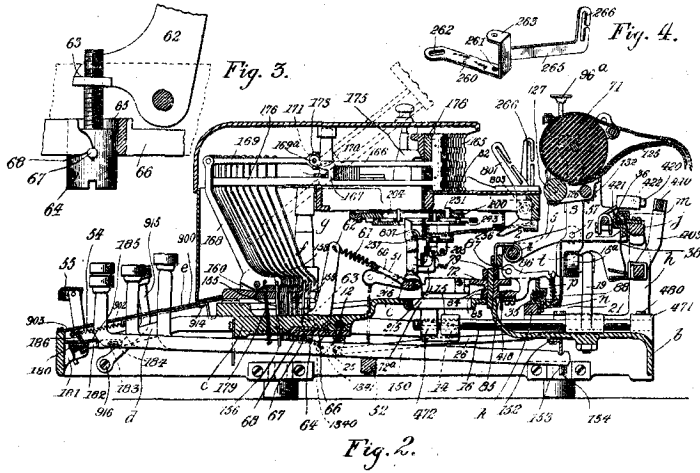


Fig. 2.

22518
Imperial Writing-machine Co. Typewriter. (C. W. and G. W. Davis and W. P. Kidder.)

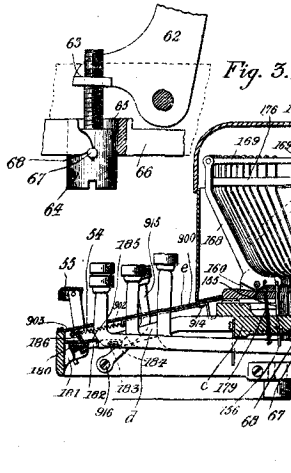


Fig. 3.

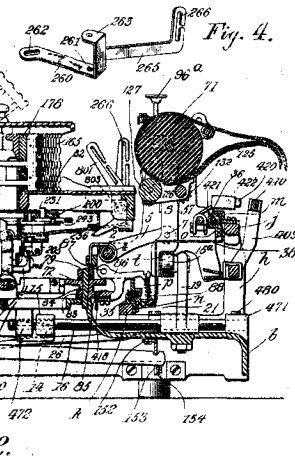
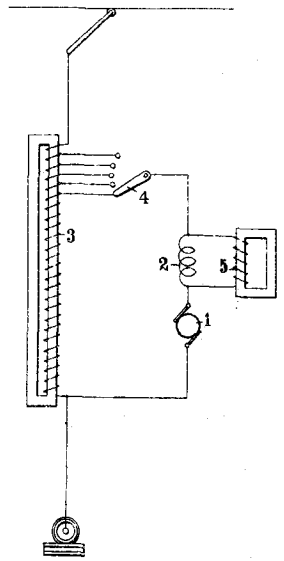
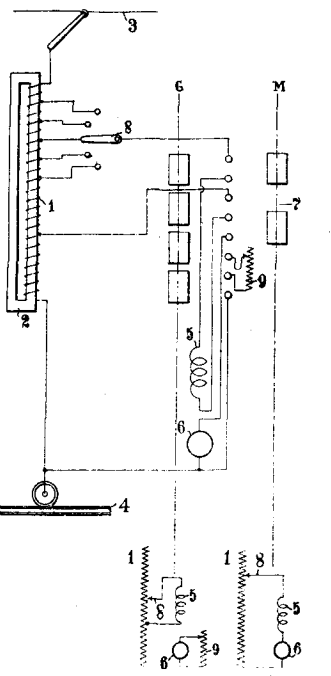


Fig. 4.



22538
British Westinghouse Electric and Manufacturing Co., Limited. Commutator-connection. (Lamme.)



22539
British Westinghouse Electric and Manufacturing Co., Limited. Dynamo-connection. (Lamme.)

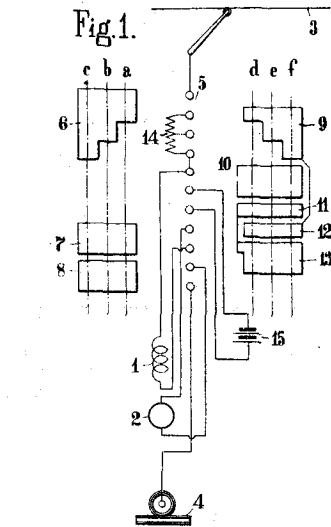
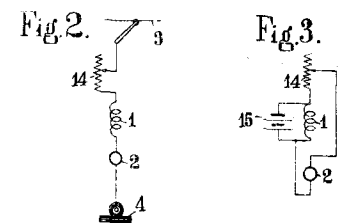


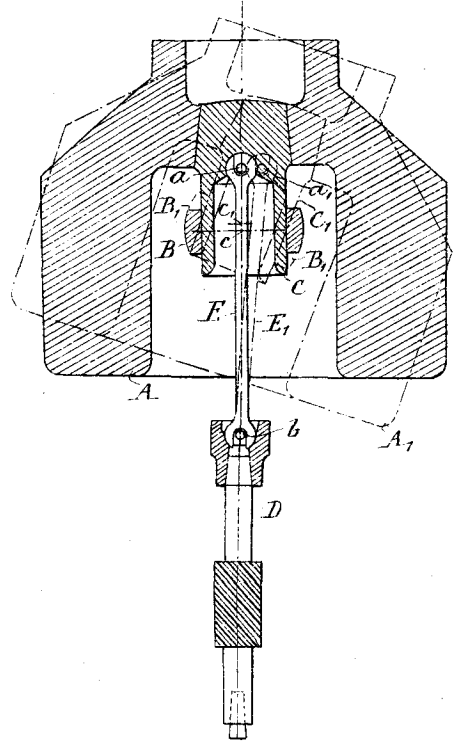
Fig. 1.

Fig. 2.

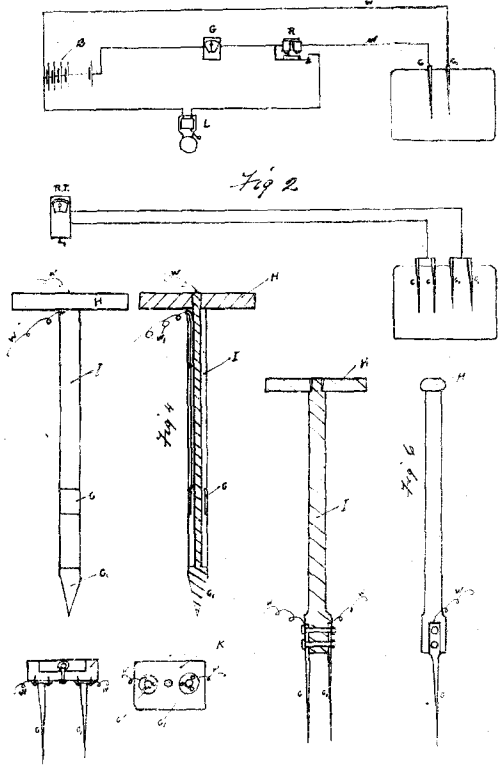
Fig. 3.



22540
British Westinghouse Electric and Manufacturing Co., Limited. Dynamo-connection. (Lamme.)



22551
Knudsen. Centrifugal Machine.



22444 Reichel. Baled-goods Indicator.

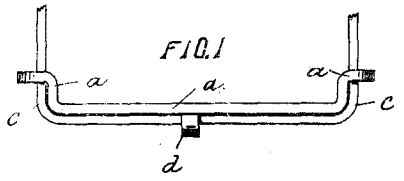
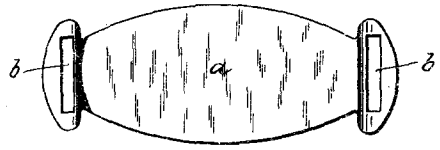
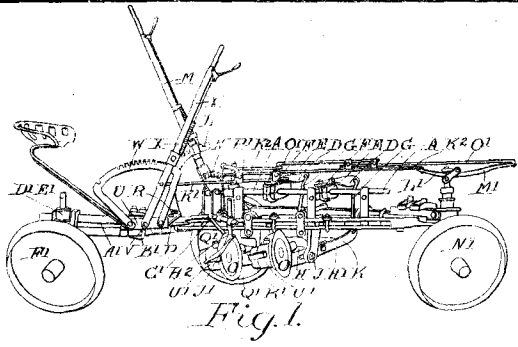


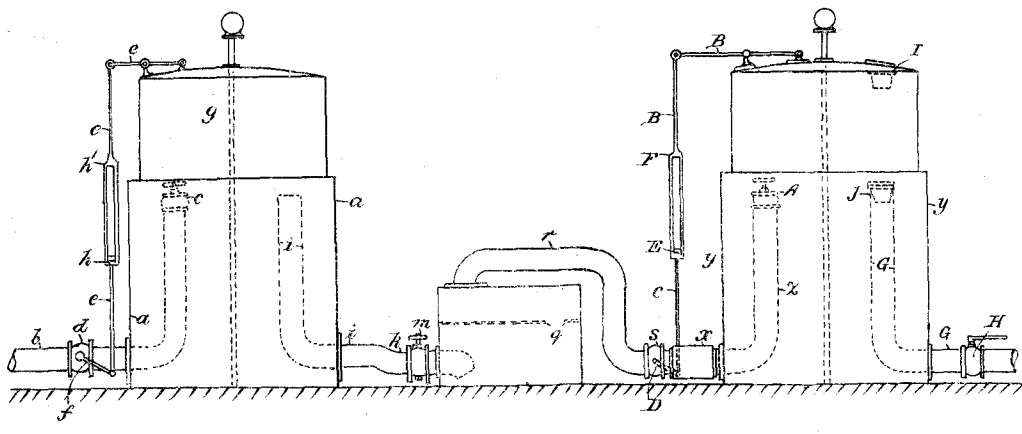
FIG. 2



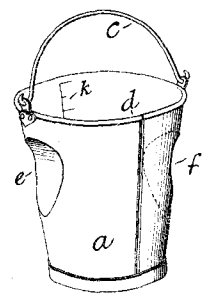
22502 Downing. Stürap.



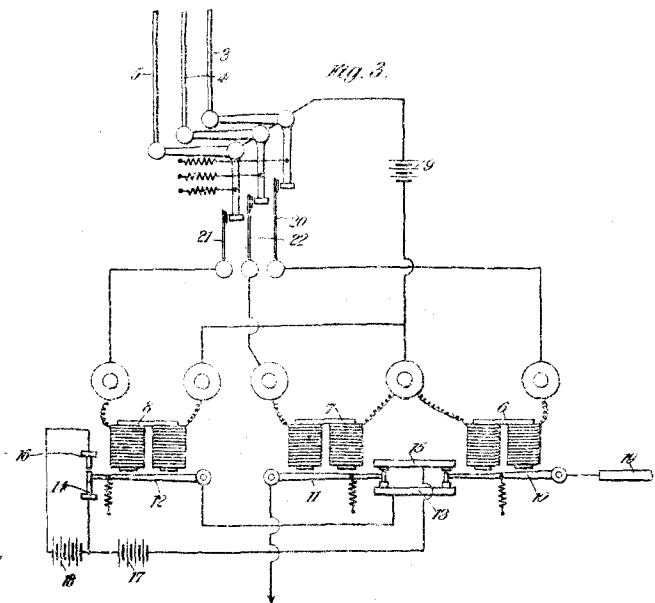
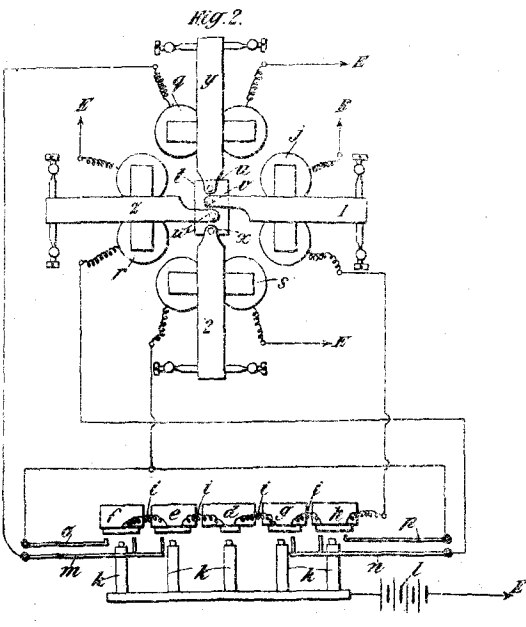
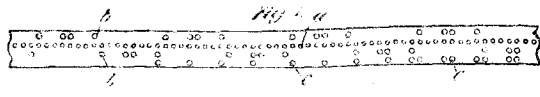
22465 Barger. Disc Plough.



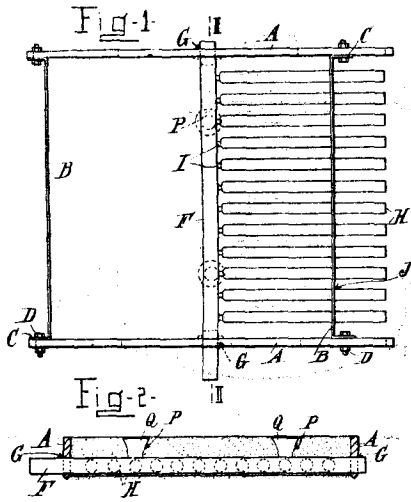
22503 Mieville. Air-carburettor.



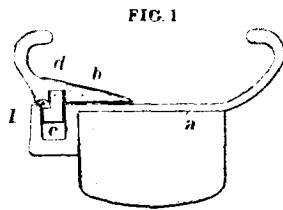
22584 Bell. Milk-bucket.



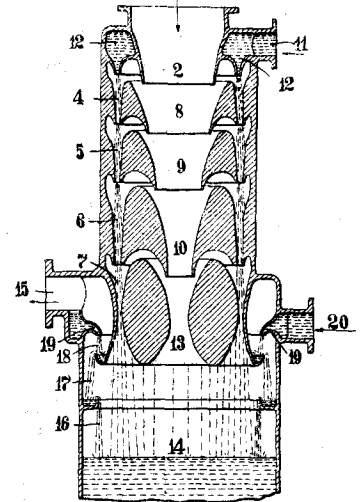
22504 Baronio. Telegraph. (Mairhead.)



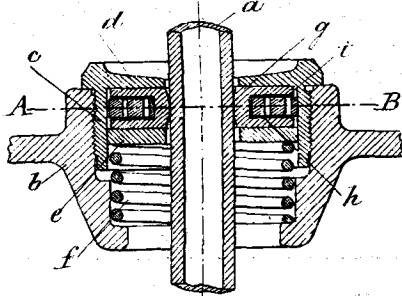
22526
G. T., T. M., and J. K. Muir. Sash-weight Mould. (W. C. Turpel.)



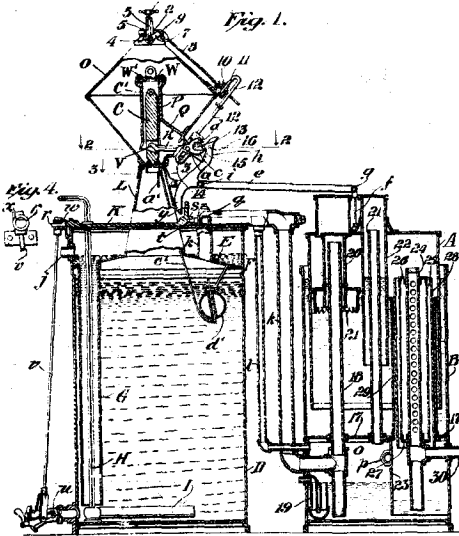
22517
Pataud. Wheel-rim.



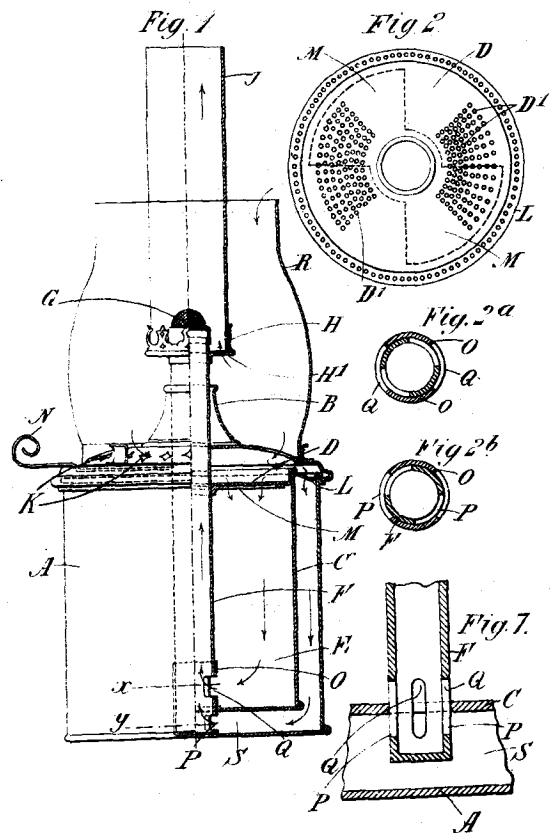
22480
Société Anonyme Westinghouse. Condenser. (Leblanc.)



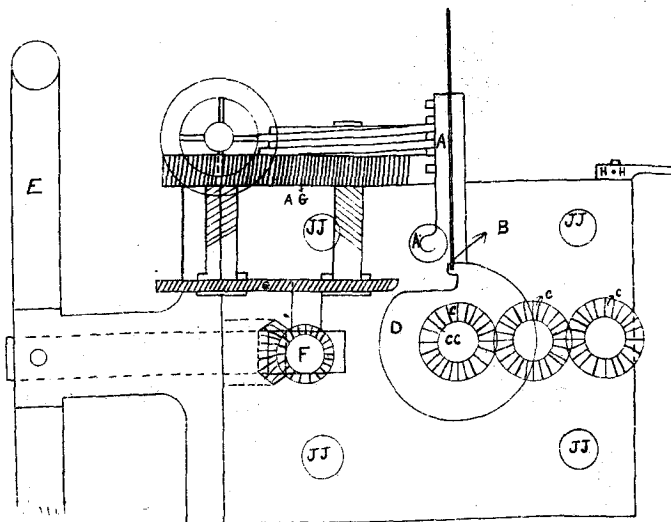
22553
Knudsen. Bearing.



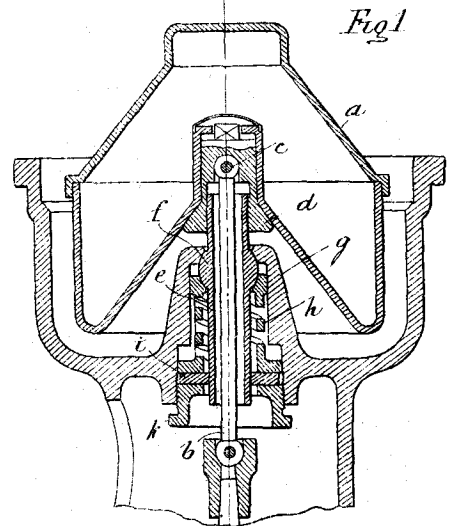
22525
N. Goodyear. Acetylene-generator



22507
Suter and Wayman. Lamp and Carburetter.



22650
Browne and Toms. Metal-pipe Machine.



22552
Knudsen. Centrifugal Separator.